

SUNMASTER

PARTS BOOK

830, 1230 and 1630 Series

High Capacity
Sunflower, Milo and Corn
Harvesting Attachment



Sheyenne Tooling & Mfg.

Sheyenne Tooling & Manufacturing
701 Lenham Ave. SW / PO Box 647
Cooperstown ND 58425

701-797-2700

800-797-1883

Fax 701-797-2584

www.sheynnemfg.com



Sheyenne Tooling & Mfg.

701 Lenham Ave SW
PO Box 647
Cooperstown ND 58425
(800) 797-1883 or (701) 797-2700
Fax (701) 797-2584
www.sheyennemfg.com

Sheyenne SUNMASTER HEADER



Made in
the USA

**High Capacity
Sunflower, Corn & Milo
Harvesting Attachment**

**Available In:
8, 12 and 16 Row With 30" Spacing
12 and 16 Row with 22" Spacing &
12, 16, 18 and 24 Row With 20" Spacing**

Custom Painting Available



**Harvest 6 – 30%
more crop from the
same field !**



**Significantly reduce
shatter losses**

**Superior choice for lodged or
excessively dry sunflowers**



**Minimize ear losses
in lodged corn**



**Cuts the stalks.
Can chop and spread
or drop for stover**

**Improved conditions for spring
planting and weed control**



**Unique design picks up
downed milo, but leaves
taller standing stubble**

Table of Contents

30" Manual

Description	Chart #	Page #
Table of Contents	-	2
Service parts, how to order - metric information	-	3
Major component systems	001	4 & 5
Lower drive assy	002	6 & 7
Sprockets, Shafts & Gearboxes	003	8 & 9
Gearbox assy, inner	004	10 & 11
Gearbox cross-sections	005	12 & 13
Drive assy (middle)	006	14 & 15
Lower connector shafts	007	16 & 17
Outer drive shaft, 1630 model	008	18 & 19
Arm assy	009	20 & 21
Cross auger assy & LH mounting assy	010	22 & 23
Cross auger assy & RH mounting assy	011	24 & 25
Center support, divided cross auger, 1630 model	012	26 & 27
The two drive systems defined	-	28 & 29
Single drive assy, RH & LH	013	30 & 31
Double drive assembly, 16 row, LH	014	32 & 33
Double drive assembly, 16 row, RH	015	34 & 35
Connecting shaft assy	016	36 & 37
Clutch - sprocket assy, LH	017	38 & 39
Clutch - sprocket assy, RH	018	40 & 41
Chain tensioner assy	019	42 & 43
PTO drive shaft assy	020	44 & 45
JD 9600 drive kit	021	46 & 47
Row unit	022	48 & 49
Rotary cutting mechanism	023	50 & 51
Gathering chain and tensioner assy, RH/LH	024	52 - 55
Chain guide assy, RH/LH	025	56 & 57
Vibrating catch pan assy	026	58 & 59
Vibrating catch pan	027	60 - 61
Lower shieldings	028	62 & 63
Shieldings, LH	029	64 - 67
Shieldings, RH	030	68 - 71
Rear screen assy	031	72 & 73
Snouts	032	74 & 75
Snout assy, welded, LH	033	76 & 77
Snout assy, welded, RH	034	78 & 79
Snout assy, welded, center	035	80 & 81
Special tools, detachable parts & optional parts	036	82 & 83
Decals	037	84 & 85
Suggested dealer parts kit for Sunmaster Headers	-	86
Customer spare parts kit	-	87
Index		88 - 95



1.1. Using the parts catalog
 The drawings indicate item numbers relevant descriptions, the part numbers, and number of parts for 8,-12,-16 row units respectively , so the parts going to be ordered can easily be identified.

1.2. How to order service parts
 Please give the following data on ordering parts :

- Production year of the header, if known
- Serial number of the header (from owners manual)
- Description, part numbers and quantity of ordered parts (from this manual)

Note: Please follow the above directions when ordering, it helps us send the correct part(s).

Information: The Sunmaster header was originally engineered in Europe, using the Metric system. The header is still primarily Metric, including the hardware. Below find two tables that compare the Metric system and the English system of grading bolts and screws. The last column of the Metric table has useful *equivalent* information comparing the two systems.

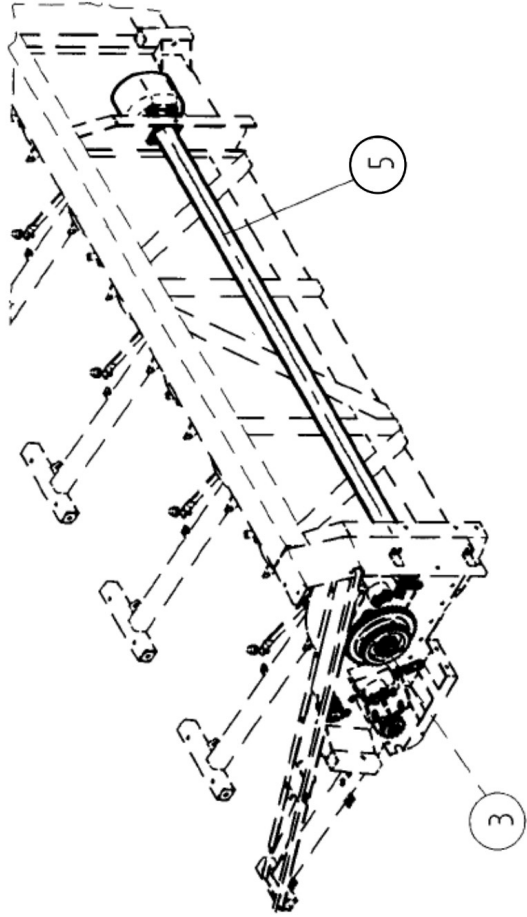
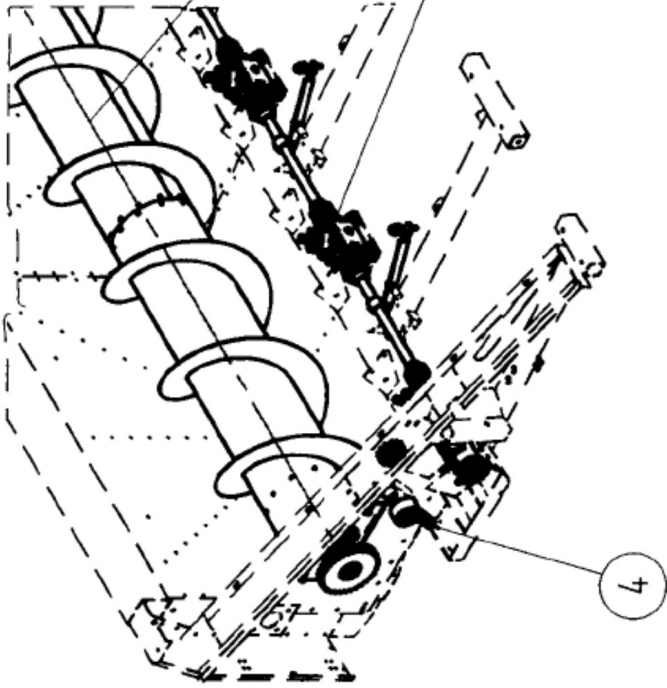
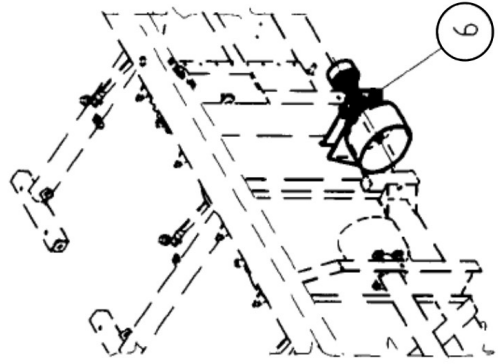
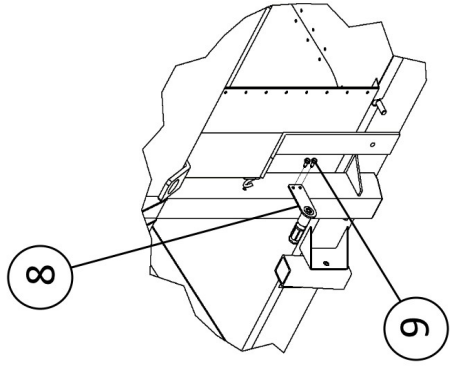
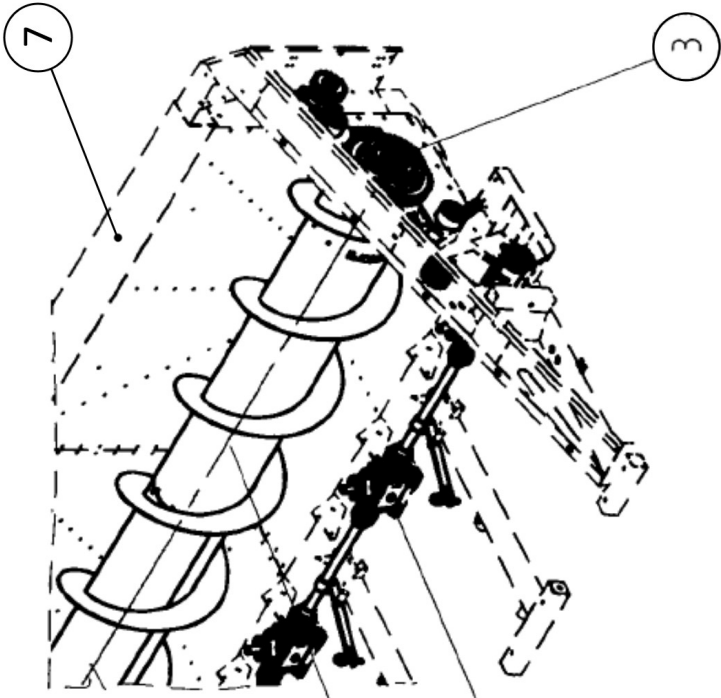
ISO Property Class Markings for Steel Metric Bolts and Screws				
Grade Marking	Specification	Size	Tensile Strength MPa	Equivalent To English Fasteners
4.6 4.8	Class 4.6	M5 & >	400	SAE Grade 1
	Class 4.6	up to M16	420	
5.8	Class 5.8	M5 to M24	520	SAE Grade 2
8.8	Class 8.8	up to M16	800	SAE Grade 5
		over M16	830	
10.9	Class 10.9	up to M36	1040	SAE Grade 8

Fig 1. Common strength grades for Metric fasteners.

Grade Designation	Material and Treatment	Tensile Strength ksi Min	Grade Identification Marking
SAE Gr. 2	low or medium carbon steel, cold worked	74	None Specified
SAE Gr. 5	medium carbon steel; the product is quenched and tempered	120 105	⋄
SAE Gr. 8	medium carbon alloy steel; the product is quenched and tempered	150	⋆

Fig 2. Common strength grades for English fasteners.

Because of it's European roots you may still find some terms or words in this manual that have been translated a little differently.



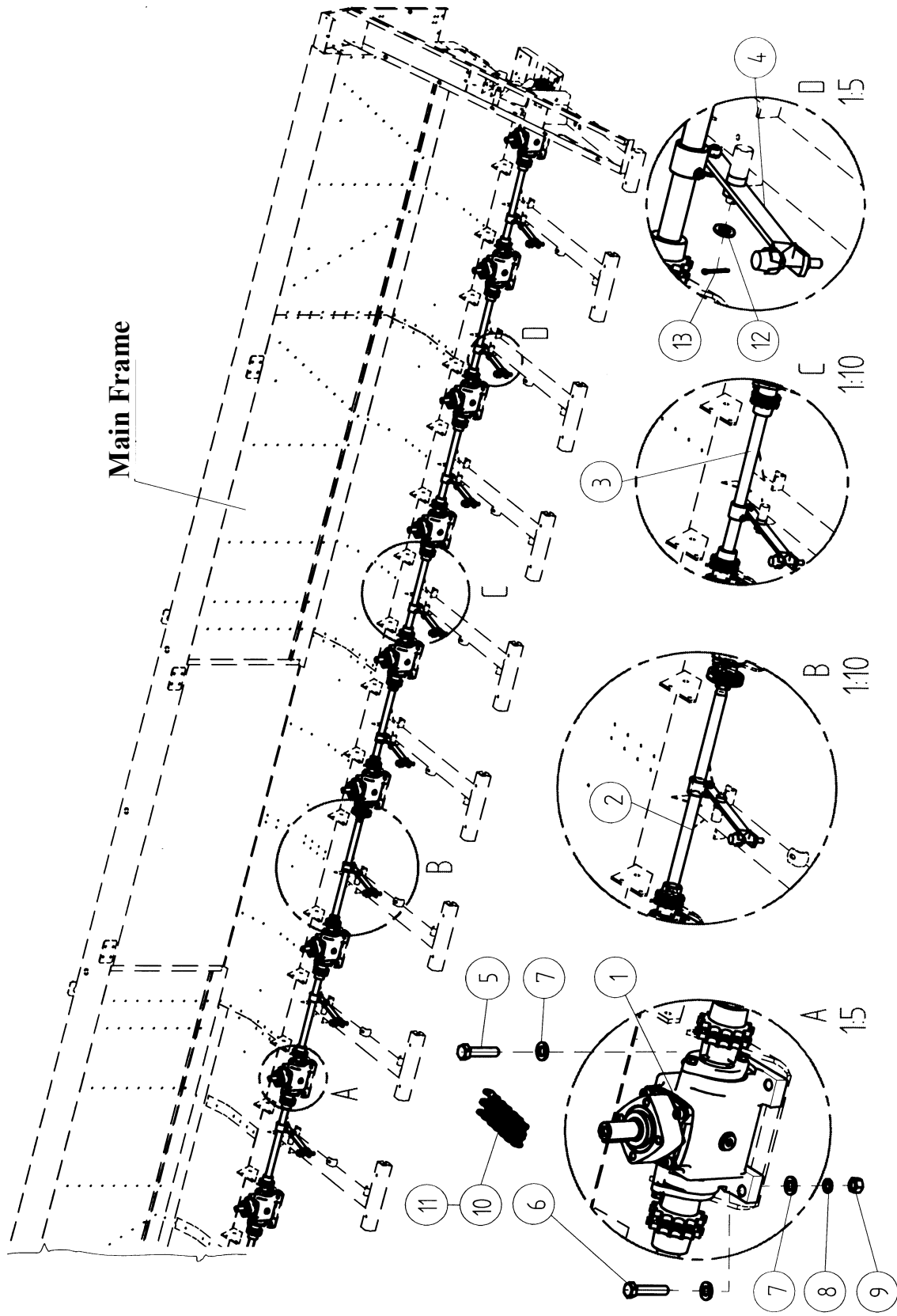
Major Component Systems

Major Component Systems

001

Item #	Description	Part #	Pieces per Header by model #			Remarks
			#830	#1230	#1630	
1	Lower drive assy, 830	01-001-354	1			
1	Lower drive assy, 1230	01-001-355		1		
1	Lower drive assy, 1630	01-001-356			1	
2	Auger assy, Cross - 830	01-001-961	1			
2	Auger assy, Cross - 1230	01-001-963		1		
2	Auger assy, Cross, (2), support - 1630	01-001-966			1	w/ Center bearing support
3	End drive assy (LH), 830	01-001-828	1			Single drive
3	End drive assy (LH), 1230	01-001-833		1		Single drive
3	End drive assy (LH, double), 1630	01-024-073			1	See pp 32 & 33 for detail
4	End drive assy (RH), 830, 1230	01-001-829	1	1		Single drive
4	End drive assy (RH, double), 1630	01-024-074			1	See pp 34 & 35 for detail
5	Drive shaft assy, 830	01-001-831	1			
5	Drive shaft assy, 12 - 2010 and prior	01-001-832		1		Non-current
	Drive shaft assy, 12 - 2011 and after	01-001-835				
5	Drive shaft assy, 16 - 2010 and prior	01-001-834			2	
	Drive shaft assy, 16- 2011 and after	01-001-836				
6	JD - 9600 drive kit, axle support *	01-016-366	1	1	1	only for JD-9600 combine
7	Frame welded, II - 830	02-016-009	1			
7	Frame welded, II - 1230	02-016-010		1		
7	Frame welded, II - 1630	02-016-011			1	
7a	Frame subweld, I - 830	02-016-009/1	1			Non-current
7a	Frame subweld, I - 1230	02-016-010/1		1		" "
7a	Frame subweld, I - 1630	02-016-207			1	" "
8	Kit, PTO holder	01-002-004	-	-	-	Kit, parts 8 & 9
8	Hanger w/a, PTO	12-004-090	1	1	2	
9	Screw, thd cutting, hex hd, 5/16 x 3/4	900-17615	2	2	4	

* See pages 46 & 47



03-004.161

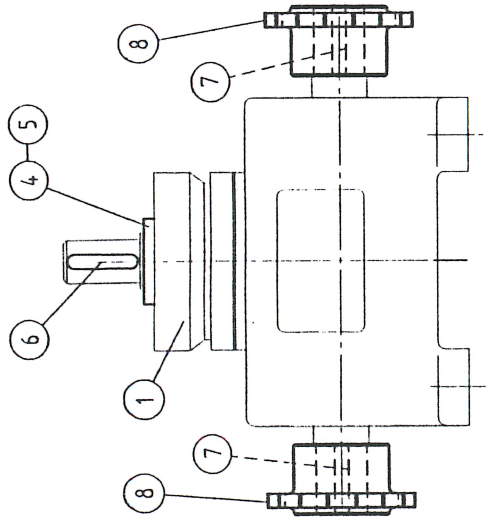
Gearbox Assembly

Drive Shaft (Middle)

Transmission Shaft

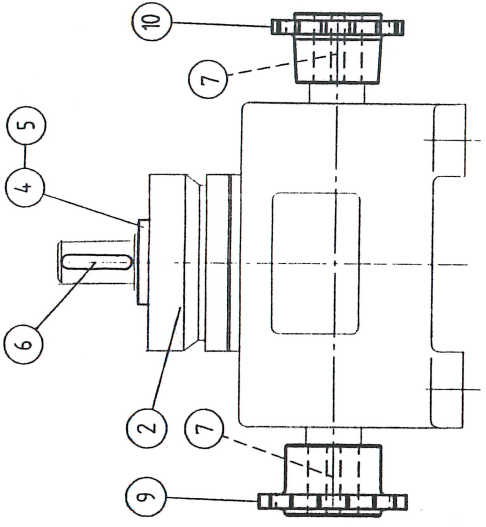
Arm Assembly

01-016.370



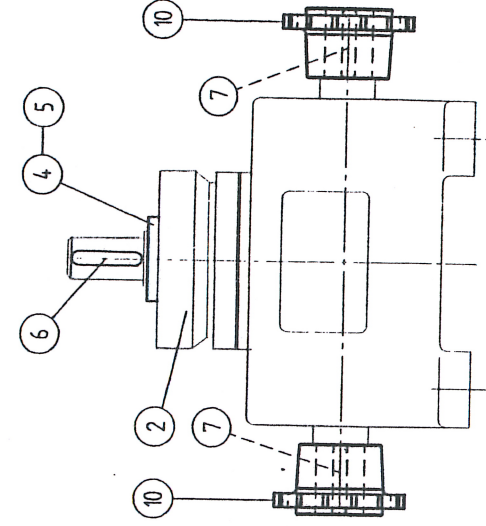
Outer Gearbox

03-024-078



Intermediate Gearbox

03-024-079



Inner Gearbox

03-004-161

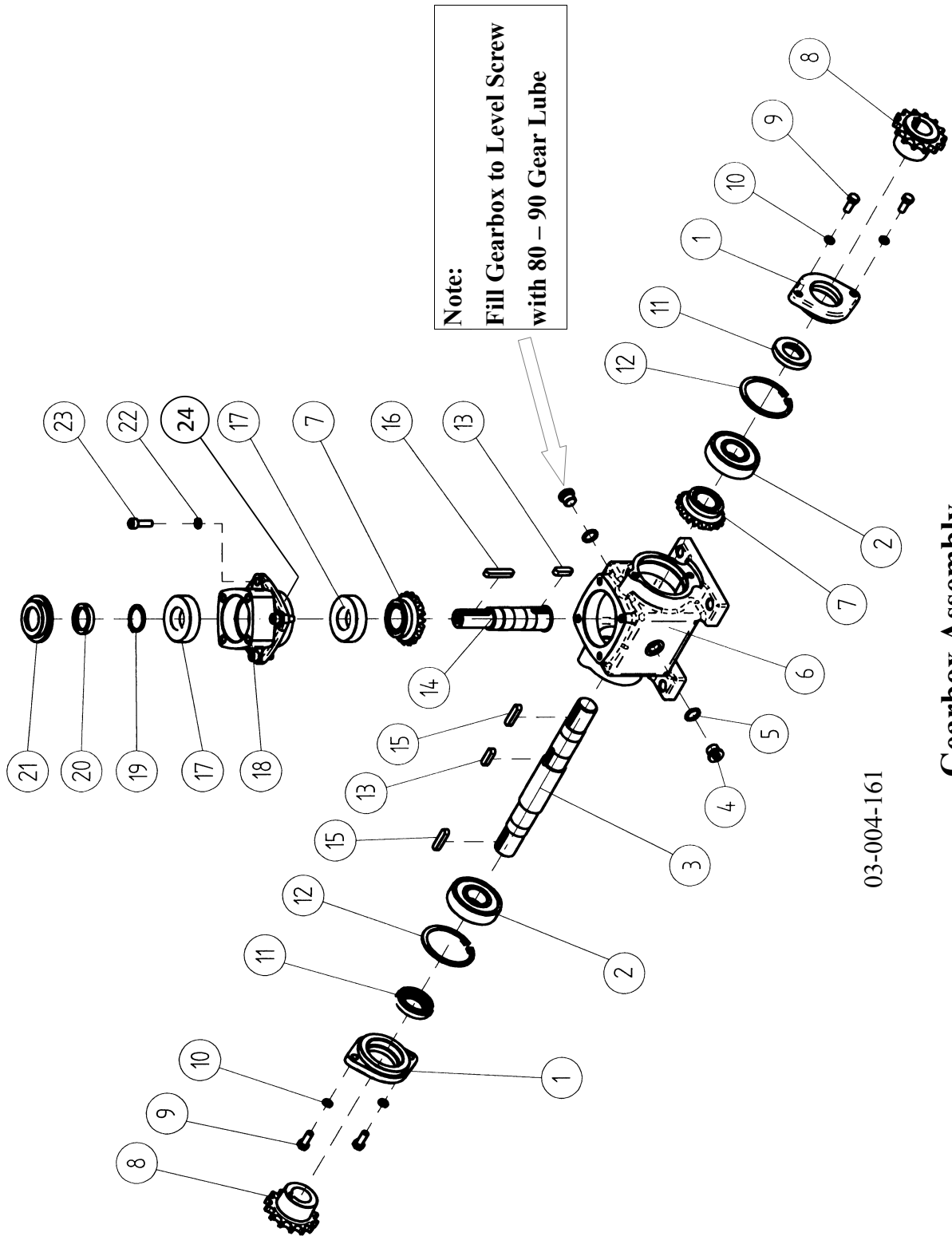
Sprockets, Shafts & Gearboxes

Sprockets, Shafts & Gearboxes

003

Item #	Description	Part #	Pieces per Header by model#			Remarks
			#830	#1230	#1630	
	Outer gearbox assy (with sprockets)	03-024-078	0	0	4	
	Intermediate gearbox assy (" ")	03-024-079	0	0	2	
	Inner gearbox assy (with sprockets)	03-004-161	8	12	10	
1	Outer gearbox assy (w/out sprockets)	03-024-081	-	-	-	Inactive part number
2	Gearbox assembly (w/out sprockets)	2-600-232				See note *
3	<i>No item on drawing</i>					
4	Cover, seal	13-016-496	8	12	10	
5	Seal	Z30x40x7	8	12	10	
6	Shaft, 8x7x45	30-004-227	8	12	10	See note *
7	Shaft, 8x7x36	30-004-225	8	12	10	See note *
	Shaft, 29,5 diameter	30-024-083	-	-	-	Inactive part number
8	Sprocket, 16 tooth	24-024-082W	-	-	-	See note *
9	Sprocket, 16 tooth	24-024-084W	-	-	-	Inactive part number
10	Sprocket, 14 tooth	24-005-881W	-	-	-	See note *

* Service part. Limited availability



Note:
 Fill Gearbox to Level Screw
 with 80 – 90 Gear Lube

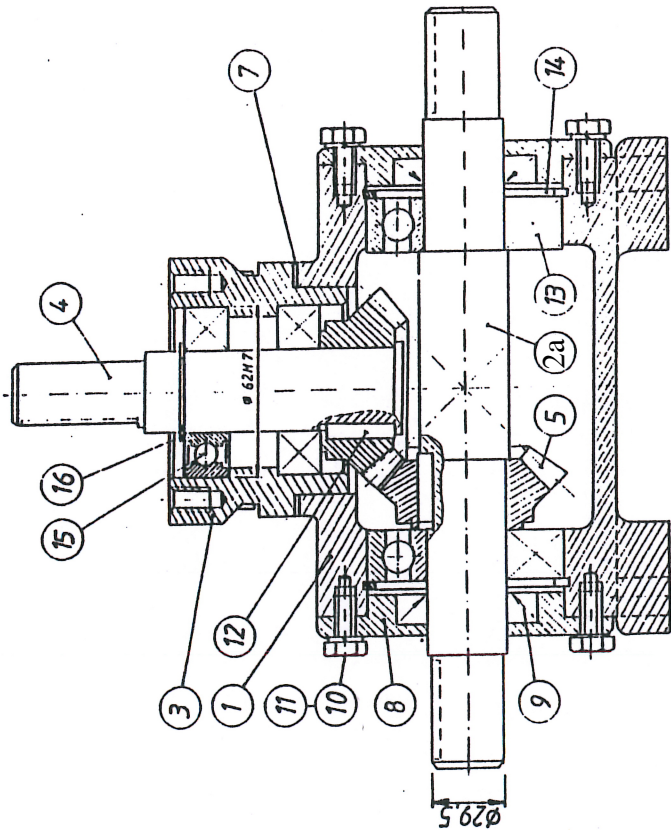
03-004-161

Gearbox Assembly

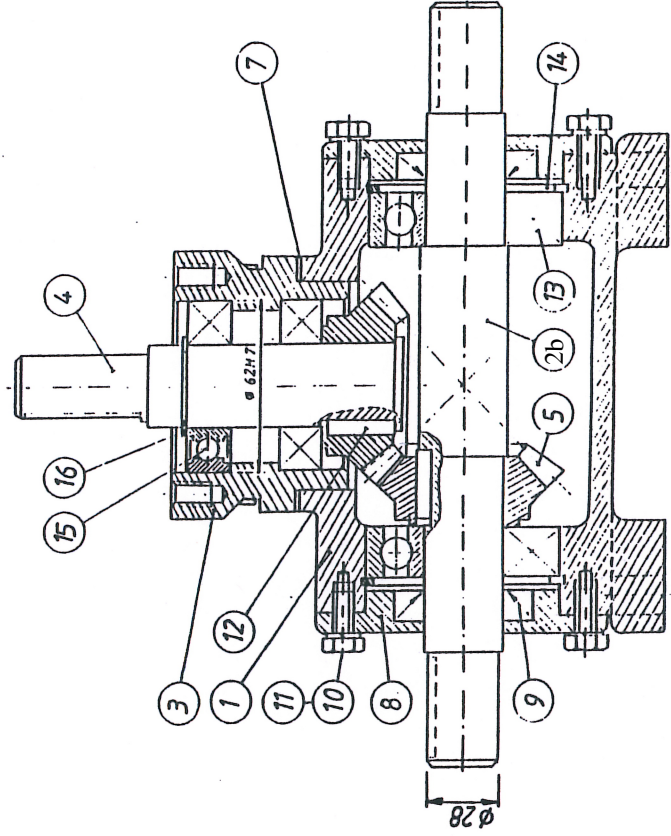
Gearbox Assembly, Inner 03-004-161

004

Item #	Description	Part #	Pieces per Header by model #				Remarks
			#830	#1230	#1630		
	Gearbox Assembly, Inner	03-004-161	8	12	12		
	" " , Outer	03-024-078	-	-	4		See next pages
			Pieces per individual unit				
1	Cover (housing), shaft	41-016-820	2	2	2		
2	Bearing, deep groove, ball	6306	2	2	2		SKF
3	Shaft, 1	2-600-239	1	1	1		P/N was 30-004-225
4	Oil level plug (screw)	M16x1.5	2	2	2		DIN 908
5	Washer, flat	M16FW	2	2	2		
6	Gearbox housing	40-004-224	1	1	1		
7	Gear, main drive, pinion, 18 tooth	22-004-228	2	2	2		
8	Sprocket, 14 tooth	24-005-881W	2	2	2		P/N was 24-005-881
9	Screw, hex cap, flt hd, grade 8.8	M8x20	4	4	4		
10	Washer, lock	M8LW	4	4	4		
11	Ring, spring - gasket	Y30x52x10	2	2	2		
12	Ring, fastener (snap)	72MSZ231	2	2	2		
13	Key, 8x7x25mm	34-004-235	2	2	2		
14	Shaft, gearbox - vertical	30-004-227	1	1	1		P/N was 2-600-243/3
15	Key, 8x7x36mm	34-004-214	2	2	2		
16	Key, 8x7x45mm	34-004-183	1	1	1		
17	Bearing, deep groove, ball	6206-2RSR	2	2	2		P/N was 6206-2RS1
18	Gearbox (housing) cover	40-004-226	1	1	1		
19	Ring, snap	30-MSZ232	1	1	1		
20	Seal	Z30x40x7	1	1	1		
21	Cover, seal	13-016-496	1	1	1		
22	Washer, lock	M8LW	4	4	4		
23	Screw, cap - hex socket hd	M8x25	4	4	4		
24	Gasket, cover - gearbox	63-016-371	1	1	1		



03-024-078 Outer gearbox



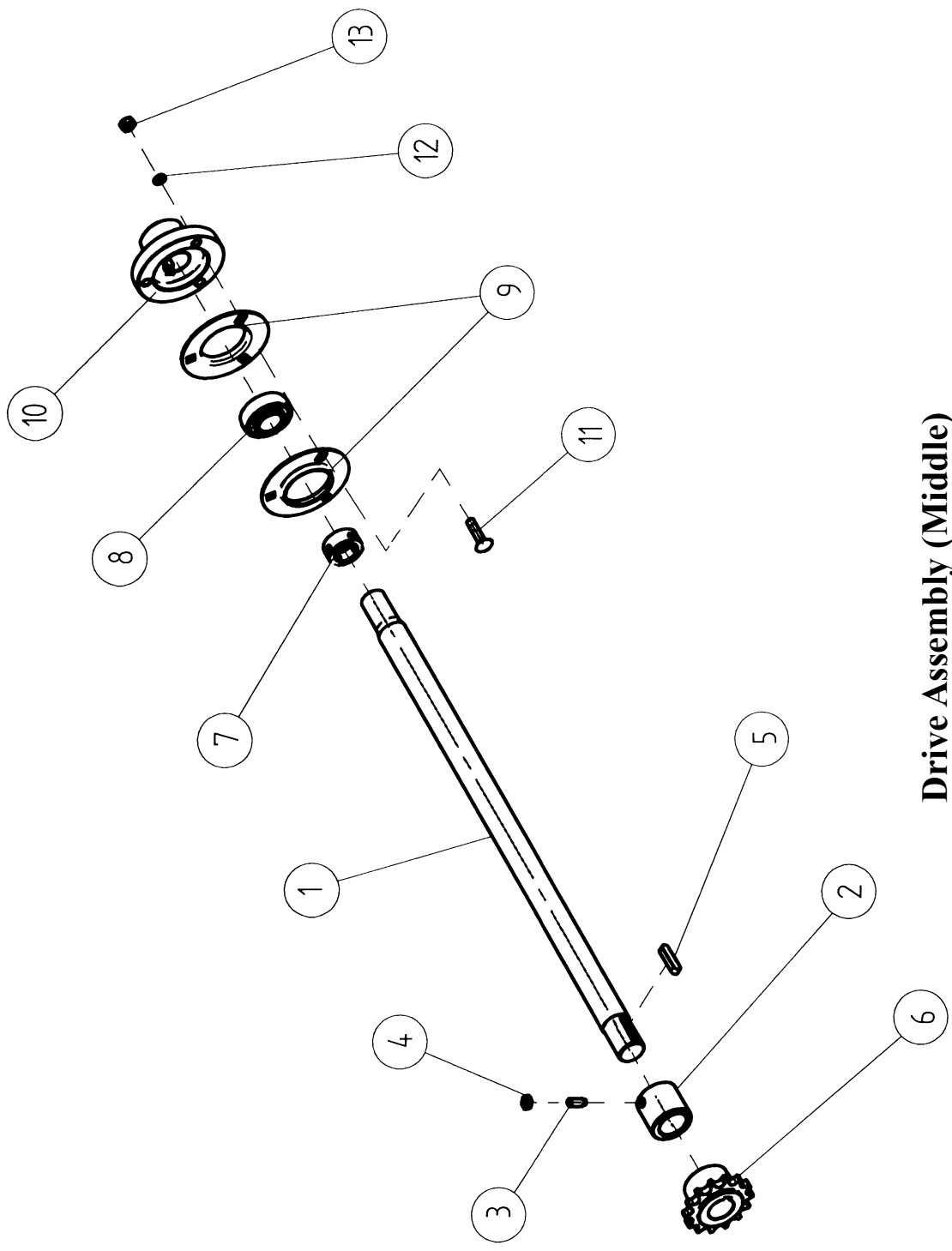
03-024-079 Intermediate gearbox
03-004-161 Inner gearbox

Gearbox cross - sections

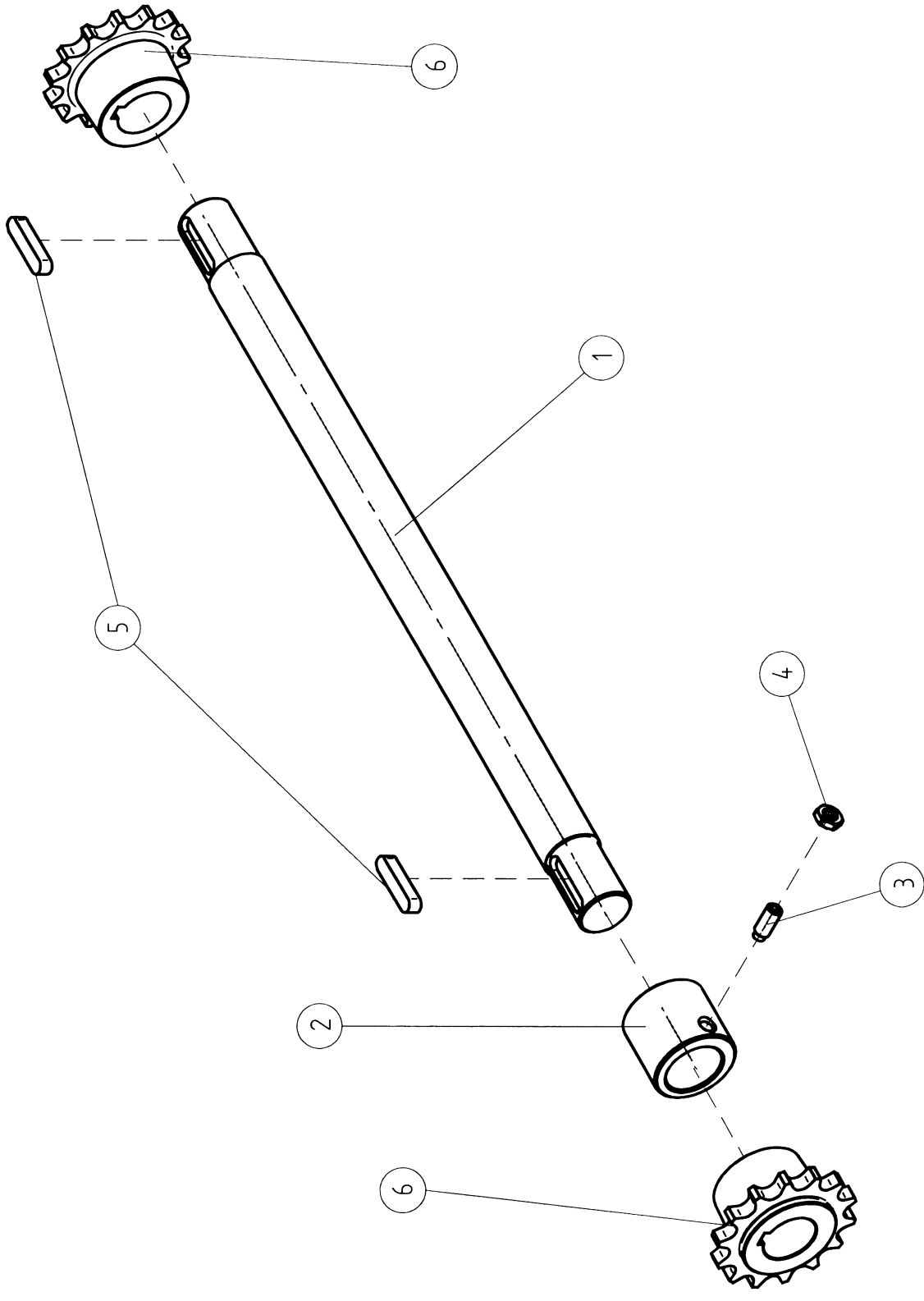
Gearbox cross-section

005

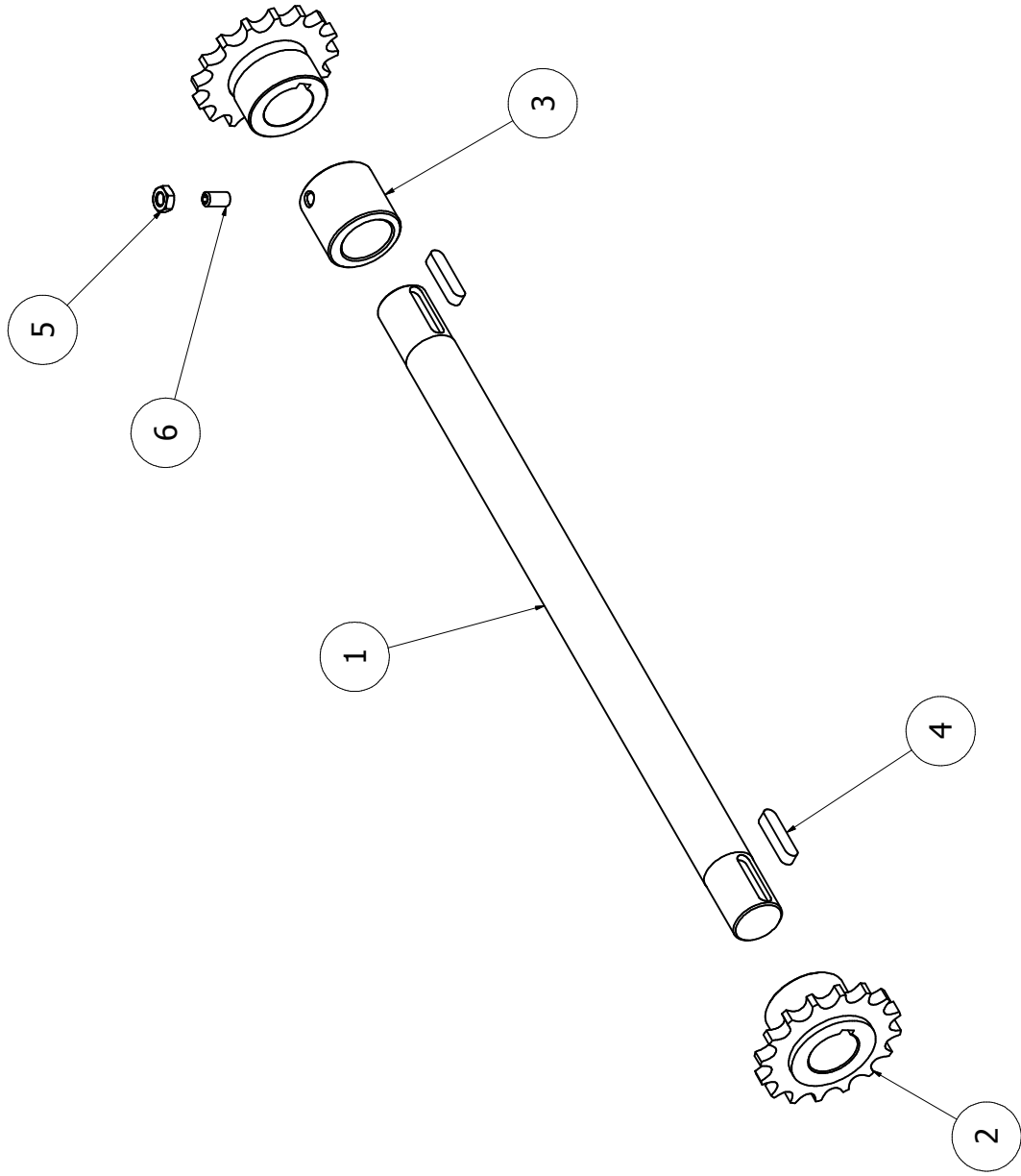
Item #	Description	Part #	Pieces per Gearbox			Remarks
			#830	#1230	#1630	
	Gearbox assembly, (w/out sprockets)	03-024-081	-	-	-	Inactive part no. (on left)
	Gearbox assembly, (w/out sprockets)	2-600-232				Smaller shaft (on right)
			Pieces per individual gearbox			
1	Case, gearbox	2-600-238	1	1	1	
2a	Shaft, gearbox - horizontal	30-024-083	0	0	1	29,5 Diameter (metric)
2b	Shaft, gearbox - horizontal	2-600-239	1	1	1	28 Diameter (metric)
3	Cover, gearbox	2-600-242	1	1	1	STAM 40-004-226
4	Shaft, gearbox - vertical	30-004-227	1	1	1	WWP 2-600-243/3
5	Gear, main drive - pinion - 18 tooth	2-600-244	2	2	2	
6	Cover <i>(No item on drawing)</i>	2-600-251				
7	Gasket, gearbox cover	63-016-371	1	1	1	
8	Housing, shaft	41-016-820	2	2	2	
9	Gasket, gearbox	Y30x52x10	3	3	3	Seal
10	Screw, hex cap, grade 8.8	M8x20	4	4	4	
11	Washer, lock	M8LW	4	4	4	
12	Key, flat - round end - 8x7x25	34-004-235	2	2	2	
13	Bearing, ball - deep groove	6306	2	2	2	
14	Ring, fastener (snap)	72MSZ231	2	2	2	
15	Bearing, ball - deep groove	6206-2RSR	2	2	2	
16	Ring, snap	30MSZ232	1	1	1	



Drive Assembly (Middle)

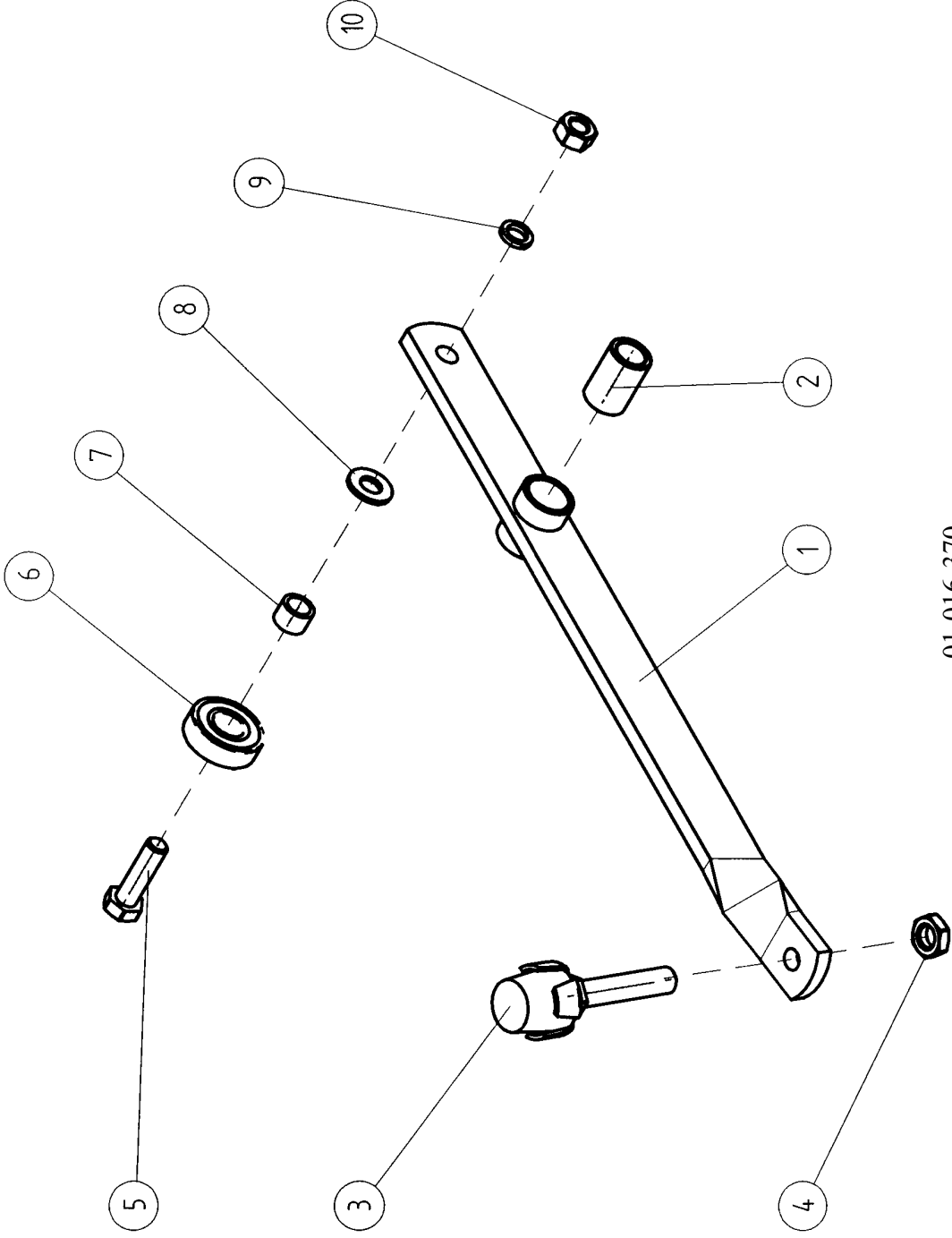


Lower Connector Shaft



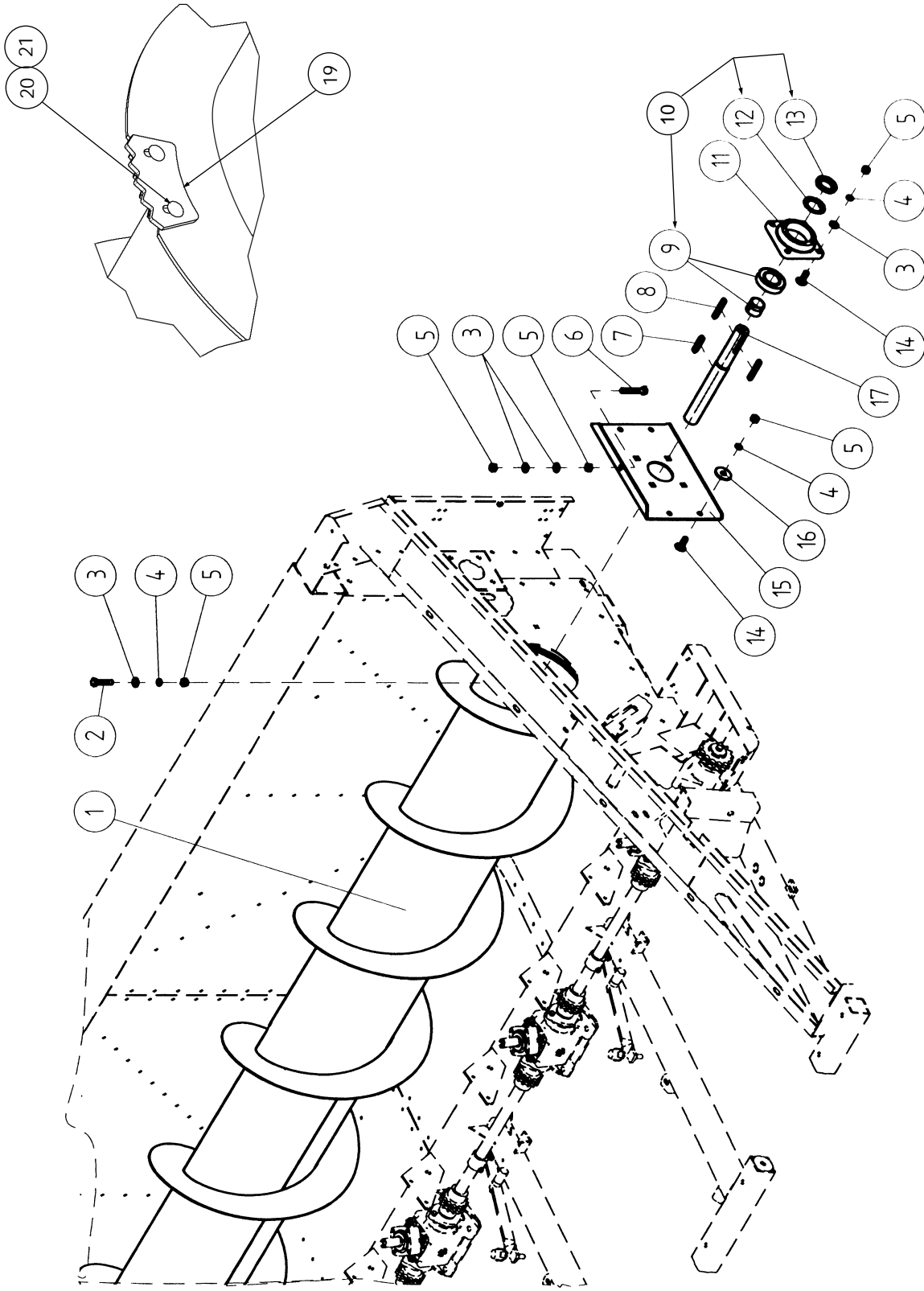
01-016-371

**Outer Transmission (Drive Shaft) Assy
1630 Model**



01-016-370

Arm Assembly



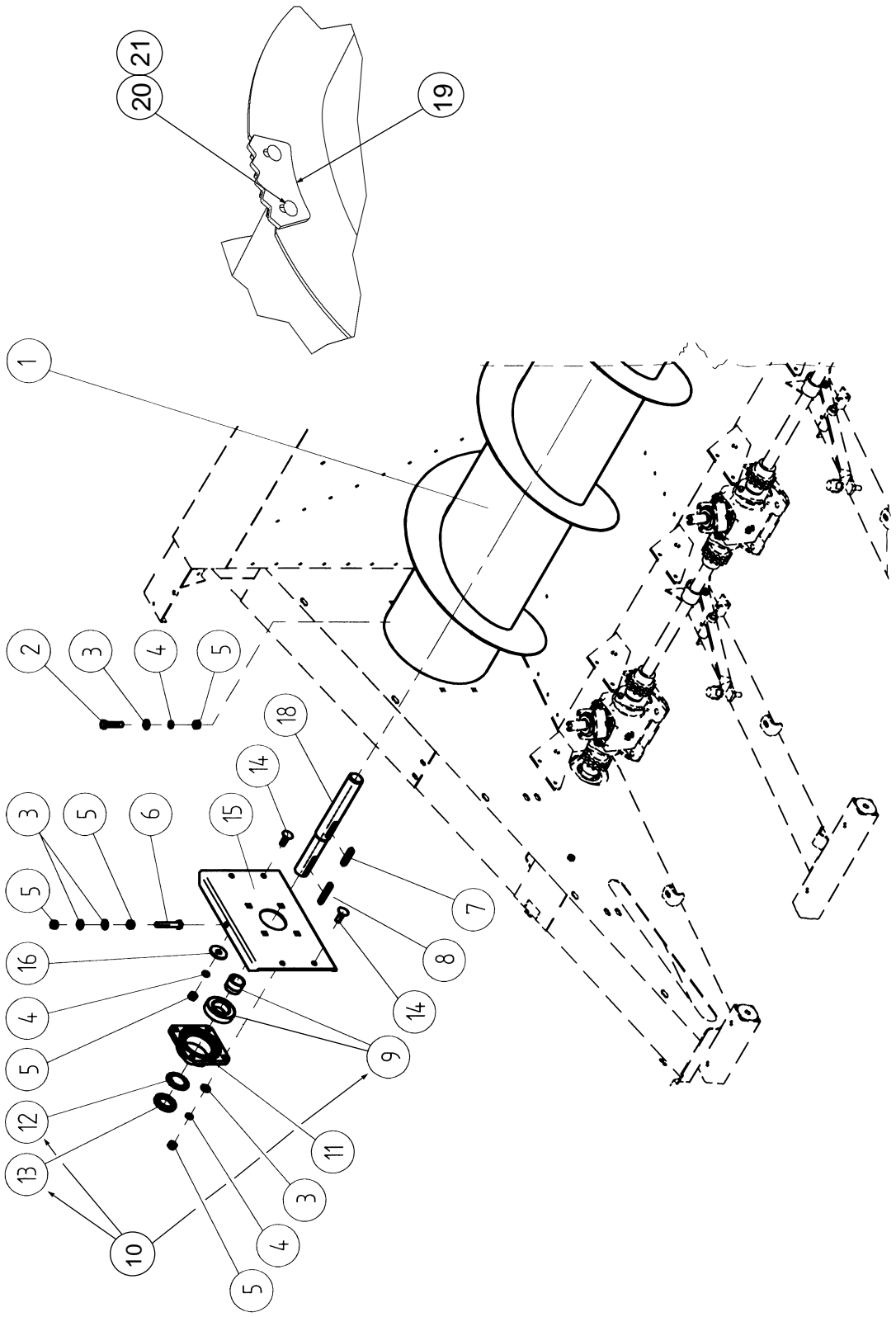
Cross Auger & Left Hand Mounting Assy

Cross Auger and L.H. Mounting Assembly

010

Item #	Description	Part #	Pieces per Header by model #			Remarks
			#830	#1230	#1630	
			Pieces per individual unit			
1	Cross auger, assembly - single piece	02-016-978	1			
1	Cross auger, assembly - single piece	02-016-982		1		
1	Cross auger, assembly - LH half	02-016-983			1	See page 25 for RH half
2	Screw, hex cap, grade 8.8	M12x55	1	1	1	
3	Washer, flat	M12FW	7	7	7	
4	Washer, lock	M12LW	9	9	9	
5	Nut, hex grade 8	M12HN	11	11	11	
6	Screw, hex cap, grade 8.8, full thd	M12x70	1	1	1	
7	Key 12x8x56	34-004-168	1	1	1	
8	Key 10x8x70	34-010-212	2	2	2	
9	Y bearing w/ tapered bushing	H208	1	1	1	SKF (in item 10)
10	Y ball bearing assy	17262082RSR	1	1	1	MGM
11	Housing, bearing	FY-508	1	1	1	SKF
12	Washer, lock - 1 int tab- 13 ext	MB8	1	1	1	SKF (in item 10)
13	Nut, round - M40x1.50 x 9mm*	KM8	1	1	1	SKF (in item 10)
14	Bolt, carriage - grade 4.6	M12x35CB	8	8	8	
15	Plate	14-010-093	1	1	1	
16	Washer	M12	4	4	4	
17	Auger shaft LH	30-016-841	1	1	1	
19	Paddle, tooth - feed - adjustable	17-016-901	0	0	14	Optional feature for 8 & 12 row
20	Bolt, carriage, 3/8NC x 1", Gr5	900-01695	0	0	28	
21	Nut, hex flange, toplock, 3/8NC	900-06530	0	0	28	

* 9mm = .354 inches



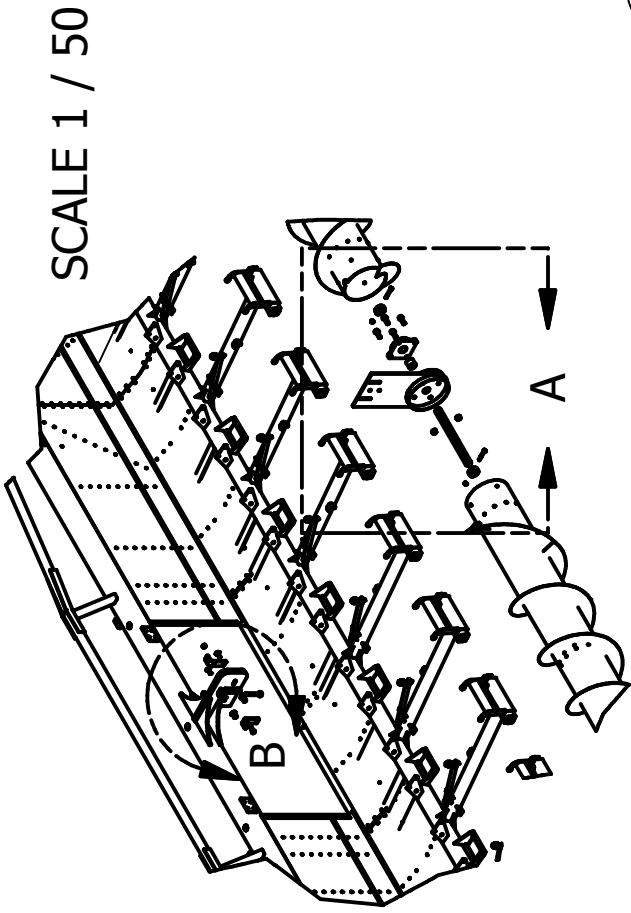
Cross Auger and Right Hand Mounting Assy

Cross Auger and R.H. Mounting Assembly

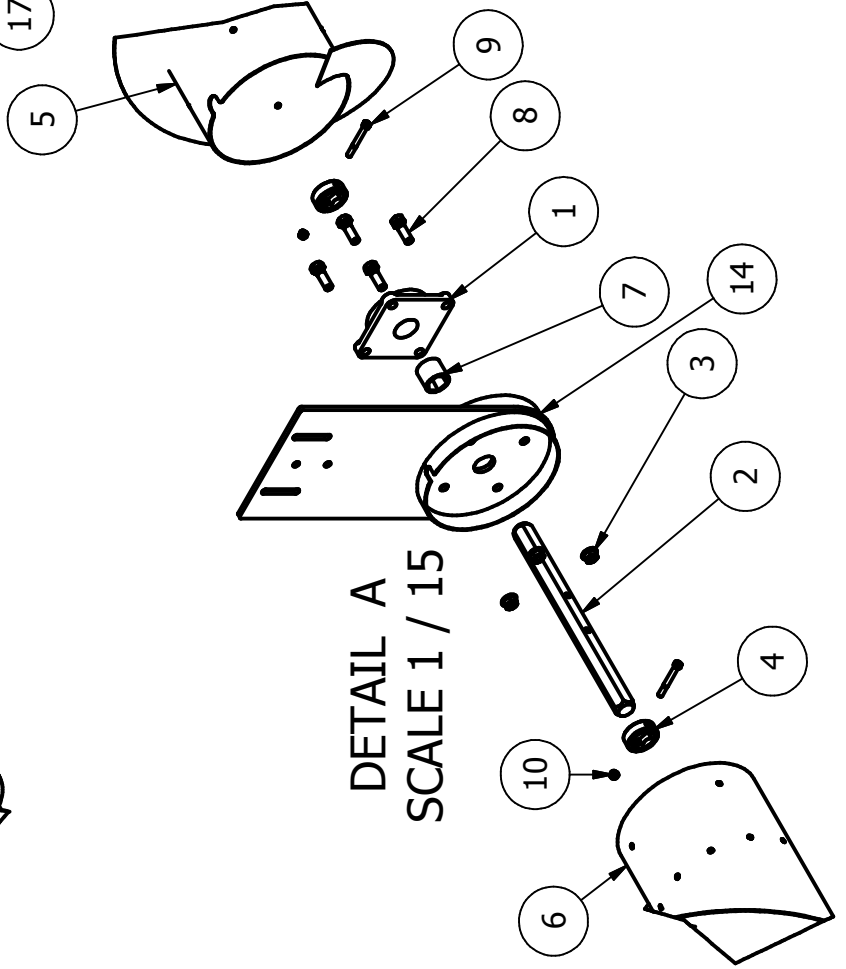
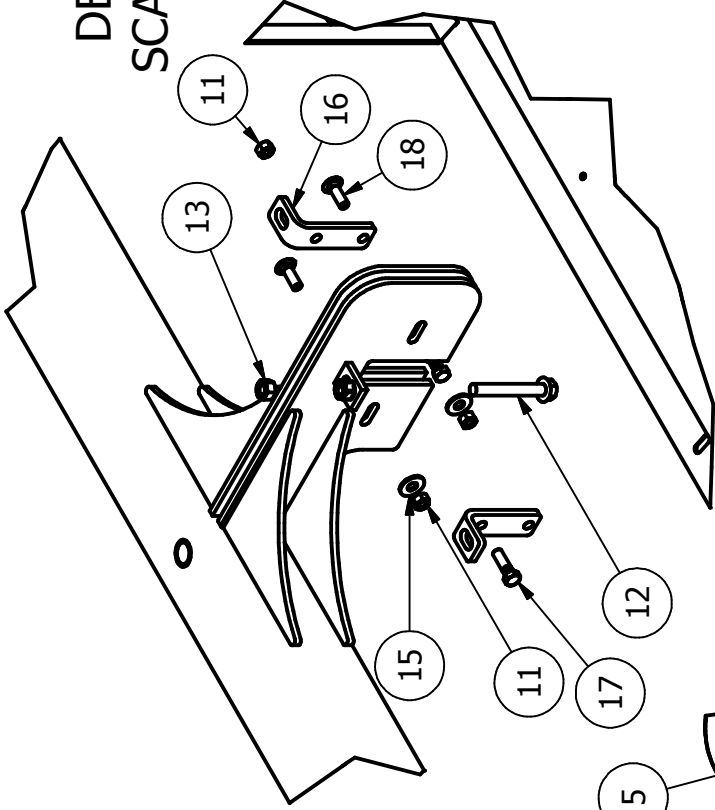
011

Item #	Description	Part #	Pieces per Header by model #			Remarks
			#830	#1230	#1630	
			Pieces per individual unit			
1	Cross auger, assembly, single piece	02-016-978	1			
1	Cross auger, assembly, single piece	02-016-982		1		
1	Cross auger, assembly - RH half	02-016-984			1	See page 23 for LH half
2	Screw, hex cap, grade 8.8	M12x55	1	1	1	
3	Washer, flat	M12FW	7	7	7	
4	Washer, lock	M12LW	9	9	9	
5	Nut, hex grade 8	M12HN	11	11	11	
6	Screw, hex cap, grade 8.8, full thd	M12x70	1	1	1	
7	Key 12x8x56	34-004-168	1	1	1	
8	Key 10x8x70	34-010-212	1	1	1	
9	Y bearing w/ tapered bushing	H208	1	1	1	SKF (in item 10)
10	Y ball bearing assy	17262082RSR	1	1	1	MGM
11	Housing, bearing	FY-508	1	1	1	SKF
12	Washer, (1) internal tab, (13) ext	MB8	1	1	1	SKF (in item 10)
13	Nut, round - M40x1.5 x 9mm *	KM8	1	1	1	SKF (in item 10)
14	Bolt, carriage - grade 4.6	M12x35CB	8	8	8	
15	Plate	14-010-093	1	1	1	
16	Washer	M12FW	4	4	4	
18	Auger shaft RH	30-016-839	1	1	1	
19	Paddle, tooth - feed - adjustable	17-016-901	0	0	14	Optional feature for 8 & 12 row
20	Bolt, carriage, 3/8NC x 1", Gr5	900-01695	0	0	28	
21	Nut, hex flange, toplock, 3/8NC	900-06530	0	0	28	

* 9mm = .354 inches



DETAIL B
SCALE 1 / 10



01-001-966

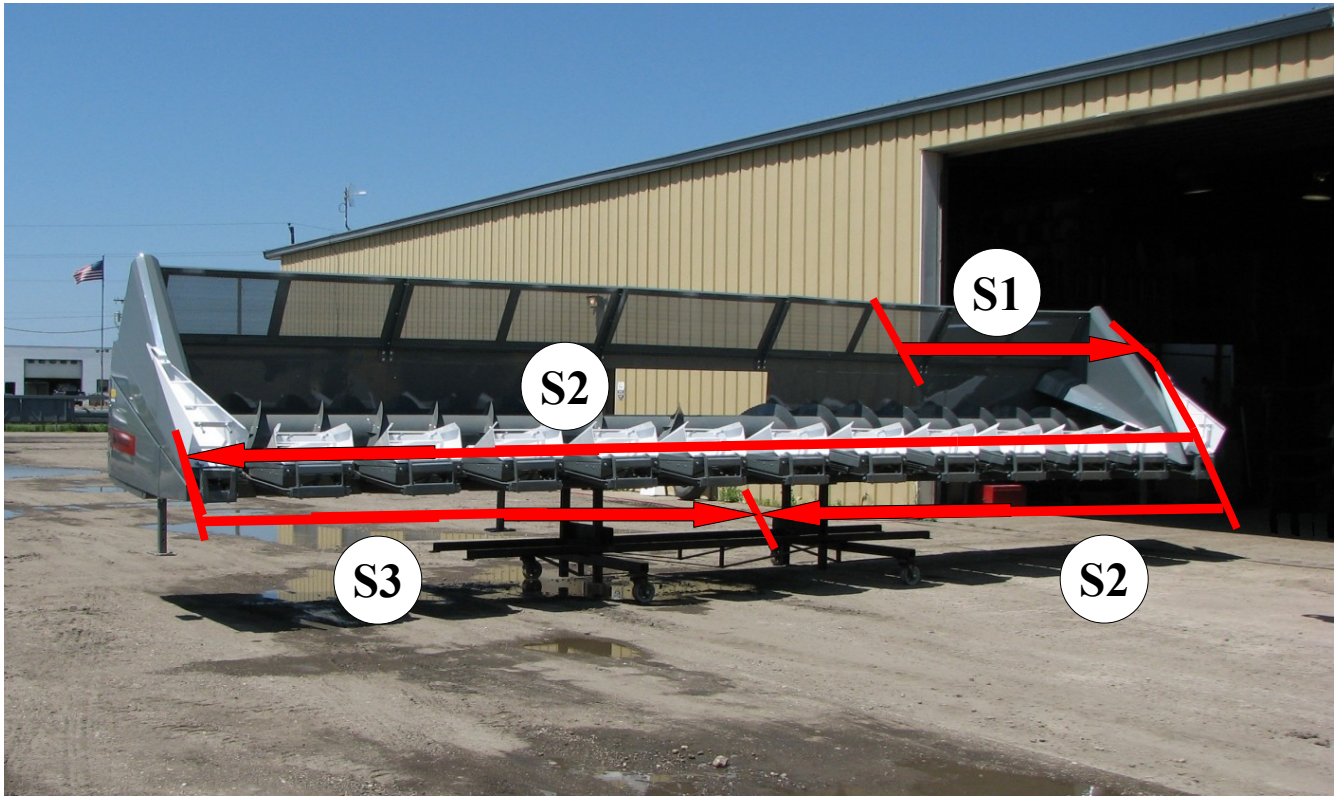
Center Support
Cross Augers, Left & Right
1630 Model

Center Support for Cross Augers - 01-001-966

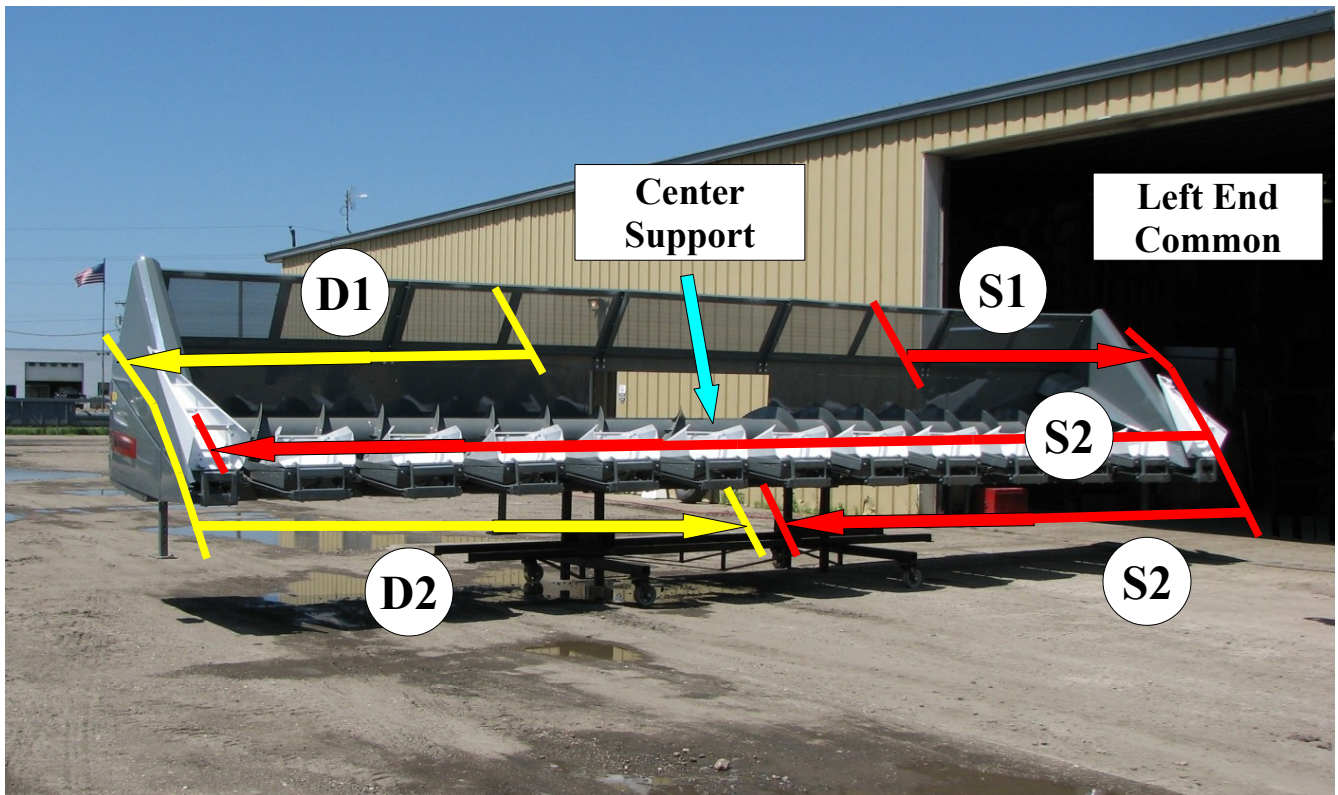
012

Item #	Description	Part #	Pieces per Header by model #			Remarks
			#830	#1230	#1630	
	Center support, auger - 1630	01-001-966	0	0	1	
			Pieces per individual unit			
1	Bearing, 4 bolt flange - 2B	610-0-0006	0	0	1	Vendor - UCF211-32
2	Shaft, connecting - hex - 1-1/2	30-020-029	0	0	1	
3	Nut, flange - serrated - 5/8NC	900-06145	0	0	4	
4	Collar, locking - hex	02-009-188	0	0	2	
5	Auger, LH - supporting cntr brg	02-016-983	0	0	1	
6	Auger, RH - supporting cntr brg	02-016-984	0	0	1	
7	Bushing, hex - 13" auger	100-3-4208	0	0	1	
8	Bolt, 5/8 x 2 - hex - Gr 5	900-01345	0	0	4	
9	Bolt, 3/8 x 3-1/4 - hex - Gr 5	900-01127	0	0	2	
10	Nut, 3/8UNC - toplock - hex	900-06500	0	0	2	
11	Nut, 1/2UNC - toplock - ZP	900-06504	0	0	4	
12	Rod weldment, take-up	02-016-301	0	0	1	
13	Nut, 5/8UNC - hex - ZP	900-06013	0	0	3	
14	Bearing retainer weldment	02-016-300*	0	0	1	After Ser No. 11706
15	Washer, 1/2 - flat	900-11035	0	0	2	
16	Anchor, take-up	13-011-302	0	0	2	
17	Bolt, 1/2 x 1-3/4 - Gr 5	900-01227	0	0	2	
18	Bolt, 1/2 x 1-1/2 - carriage - Gr 5	900-01751	0	0	2	

* Drawing Rev. B



Single Drive
830 & 1230 Row Headers



Double Drive
1630 Row Header with Center Support

The Two Drive Systems Defined

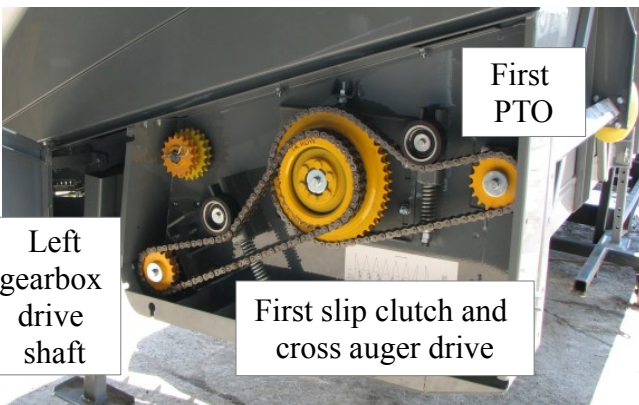
Single drive - S1

Single drive, as seen in the upper picture on page 28, has one PTO hook-up on the left side, **S1** and the **red** arrow below. It has only one slip clutch with varying quantities of spring plates. It has a sprocket drive on the right side for the right hand half of the lower gearboxes.



Left side PTO drive hook-up

Inside the left shield you will see the chains and sprockets that drive the cross auger **S2** and the left half of the lower or gearbox drive shafts, **S2**. See picture below and upper picture on page 28.



Left side drive

This side is common (except for quantity of spring plates) to both single and double drives.

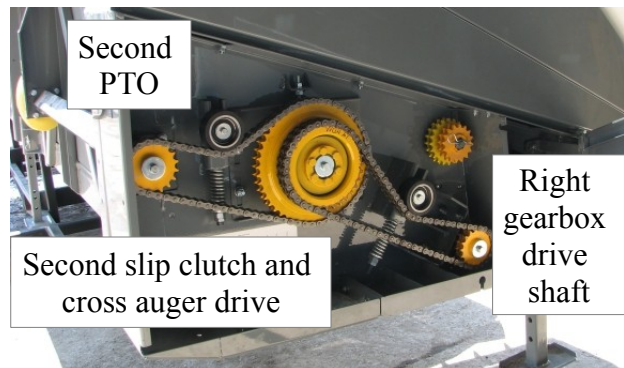
The next picture on this page is of the right hand end of the single drive, driving the right half of the gearboxes, **S3**.



Right side, single drive

Double drive – D1

The double drive, as the name implies, has **two** PTO input drive shafts and **two** slip clutches. One PTO on each side of the feeder housing opening, **S1** and **D1** and slip clutches on **both** ends. The right end will look much like the left end, but with an two unseen differences. See picture below and the lower picture on page 28.

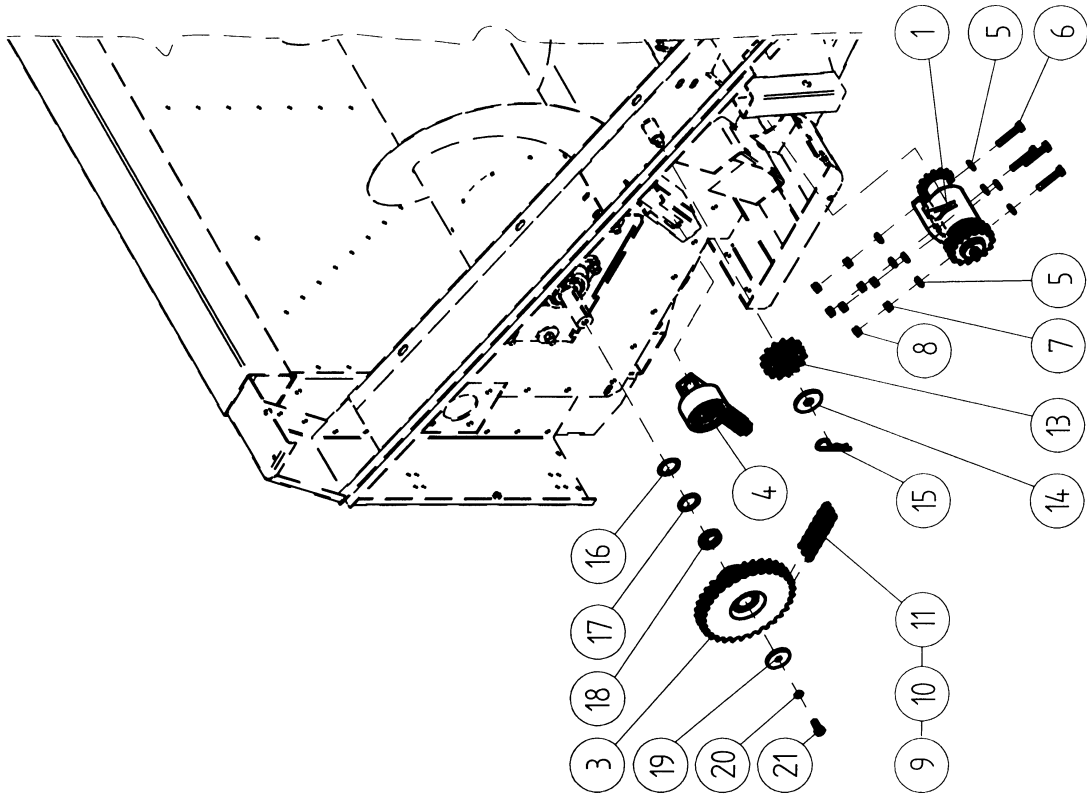


Right side, double drive

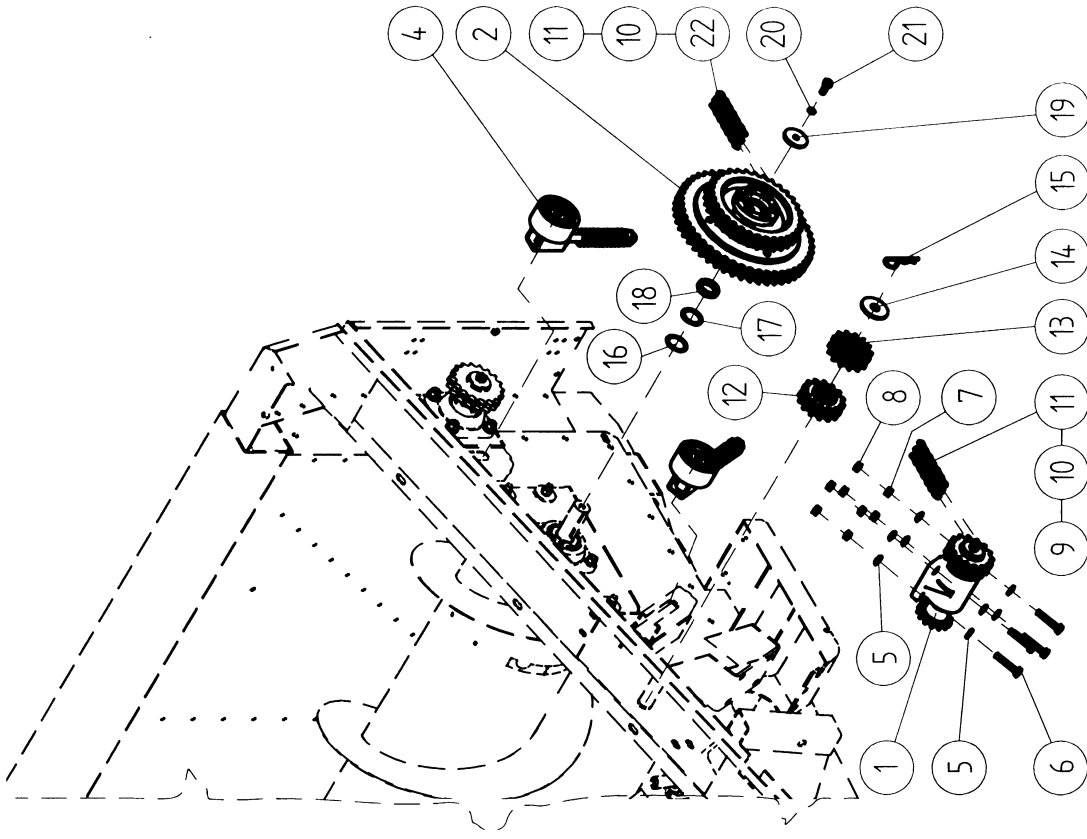
The differences are stated in the larger text box above. The double drive splits the torque load on the left side drive. See the yellow arrows in the lower picture on page 28. **D2** pulls off half of the gearbox load.

The center support of the cross auger is unique to the 1630 model.

The quantity of spring plates in the clutches and the pressure settings vary with the row size and the load each clutch is expected to carry. The next 10 or 12 pages in this book will have the recommended slip clutch settings in the remarks column.



Single Drive Assembly (R.H.)

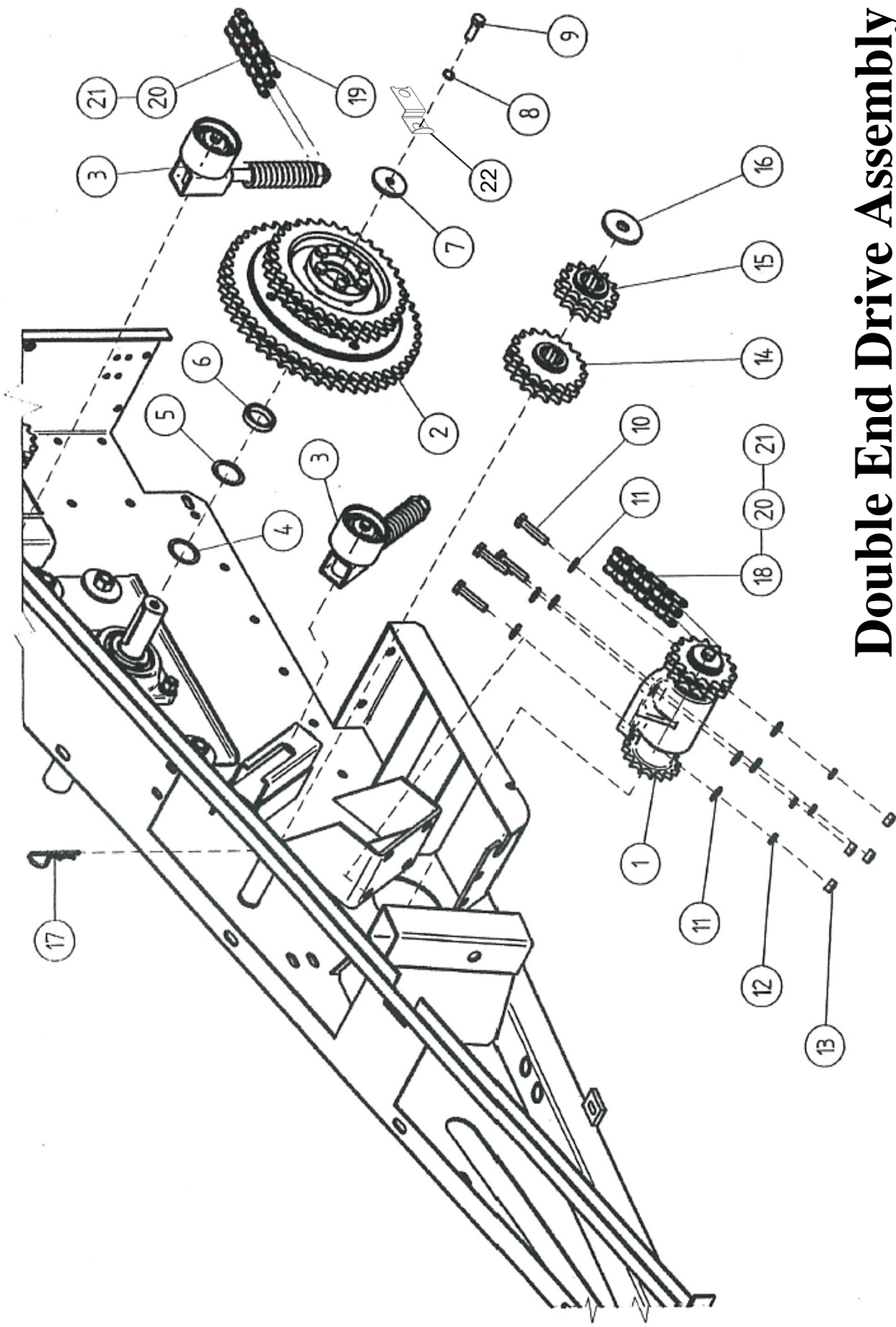


Single Drive Assembly (L.H.)

Single Drive Assembly (R. H. & L.H.)

013

Item #	Description	Part #	Pieces per Header by model #			Remarks
			#830	#1230	#1630	
	Single Drive assy LH, 8	01-001-828	1			
	Single Drive assy LH, 12	01-001-833		1		
	Double Drive assy LH, 16	01-024-073			1	See next four pages
	Double Drive assy RH, 16	01-024-074			1	" " " "
	Single Drive assy RH, common to 8 & 12	01-016-829	1	1		
			Pieces per individual unit			
1	Connecting shaft assy kit	03-016-844	2	2		See pp 36 & 37
"	Connecting shaft assy	03-016-843				" " " "
2	Clutch II/8 assy	05-016-847	1			850Nm 600 Ft Lb
2	Clutch II/12 assy	05-016-848		1		1250Nm 900 Ft Lb
2	Clutch II/16 assy LH	05-024-101				1250Nm 900 Ft Lb
2	Clutch II/16 assy RH	05-024-102				750Nm 500 Ft Lb
3	Sprocket, double - 33 tooth	07-016-849	1	1		
4	Tensioner assy	06-016-850	2	2		
5	Washer, flat	M10FW	16	16		
6	Screw, hex cap, grade 8.8	M10x45	8	8		
7	Washer, lock	M10LW	8	8		
8	Nut, hex, grade 8	M10HN	8	8		
9	Chain, double roller, 82 link	12B2-82	2	2		
10	Chain connector, dbl roller - straight	CL12B2	7	7		4 piece set --- P/N was 12A-1
11	Chain connector, dbl roller - offset	OL12B2	7	7		4 piece set
12	Sprocket, double chain	(See RH column)	1	1		Chain length depends on combine
13	Sprocket, double - 13 tooth	24-005-817	2	2		
14	Washer	M16FW	2	2		
15	Hairpin clip	4 mm	2	2		
16	Shim	13-005-993	2	2		As needed
17	Shim	13-005-994	2	2		As needed
18	Bushing	31-016-820	2	2		
19	Washer, flat	13-016-842	2	2		
20	Washer, lock	M10LW	2	2		
21	Screw, hex cap, grade 8.8	M10x25	2	2		
22	Chain, double roller	(See RH column)	1	1		Chain length depends on combine



Double End Drive Assembly

Left Hand - 1630

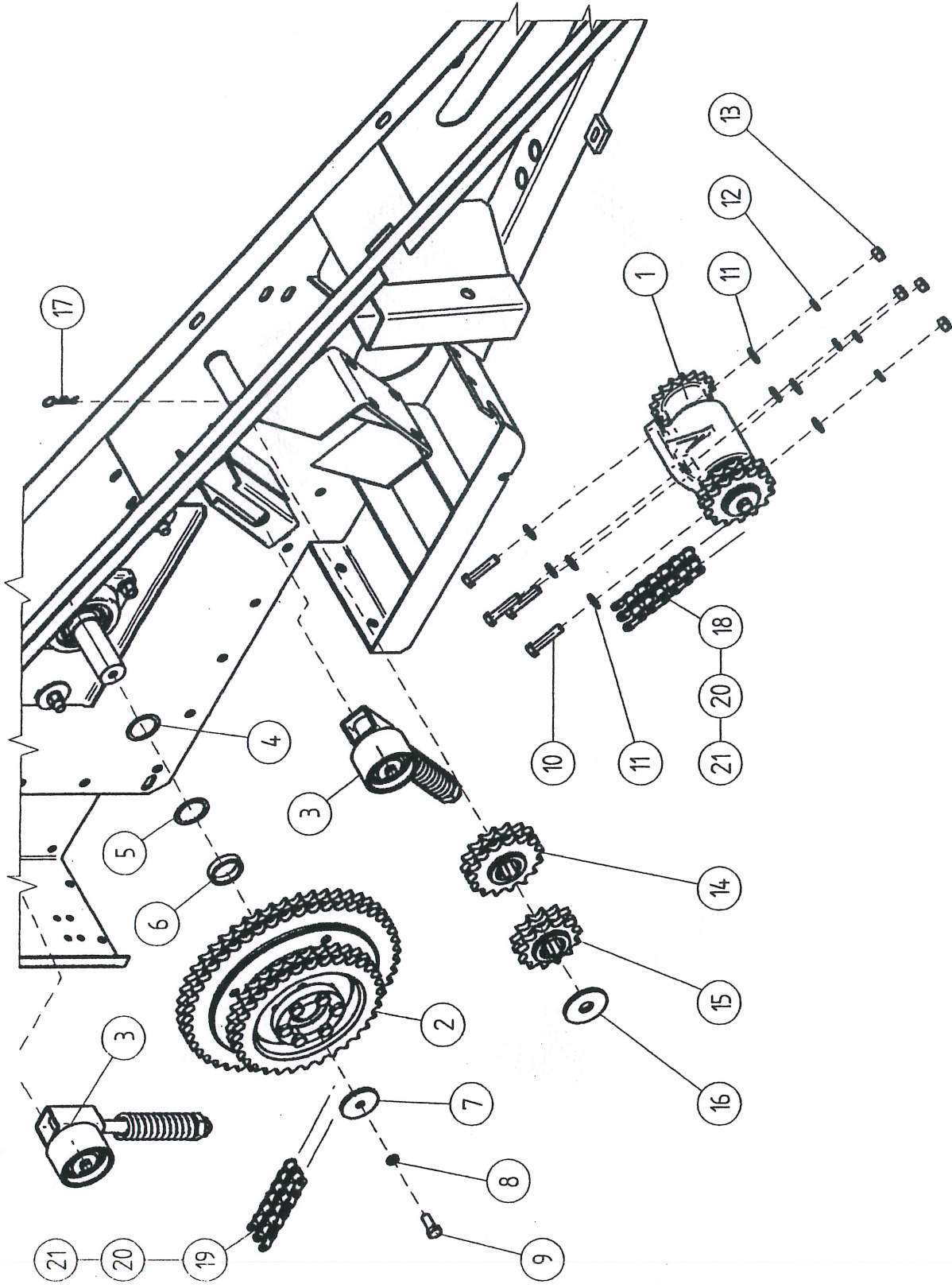
Part No. 01-024-073

Double End Drive Assy, Left Hand - 1630

014

Item #	Description	Part #	Pieces per Header by model #			Remarks
			#830	#1230	#1630	
	Double end drive assy, LH	01-024-073		*	1	
			Pieces per individual unit			
1	Connecting shaft assy kit	03-016-844			1	See pp 36 & 37
"	Connecting shaft assy	03-016-843				" " " "
2	Clutch & sprocket assy - 12,16,18	05-024-101			1	1500Nm 1080 Ft Lb
3	Chain tensioner assy	06-016-850			2	
4	Washer, shim - 1mm (mach bushing)	13-005-993			2	Or as required for alignment
5	Washer, spacer - 2mm (" ")	13-005-994			2	Or as required for alignment
6	Bushing, spacer	31-016-820			1	
7	Washer, 2" special	100-3-3648			1	
8	Washer, lock	M10LW			1	
9	Bolt, hex hd cap, grade 8.8	M10x25			1	
10	Bolt, hex hd cap, grade 8.8	M10x45			4	
11	Washer, flat	M10FW			8	
12	Washer, lock	M10LW			4	
13	Hex Nut, plated	M10HN			4	
14	Weld hub & dbl sprocket, 16 tooth	24-024-084W			1	
15	Sprocket, double - 13 tooth	24-005-817			1	
16	Washer, flat	M16FW			1	
17	Hair pin key, 5/32 - #9	900-25005			1	
18	Chain, double roller, link	12B2			1	82
19	Chain, double roller, link	12B2			1	108
20	Chain connector link, double	CL12B2			2	
21	(Clip for above)	"			"	
22	Washer, locking - left hand	13-004-306			1	Bend tab up, lock bolthead #9

* Double end drive is an option



Double End Drive Assembly

Right Hand - 1630

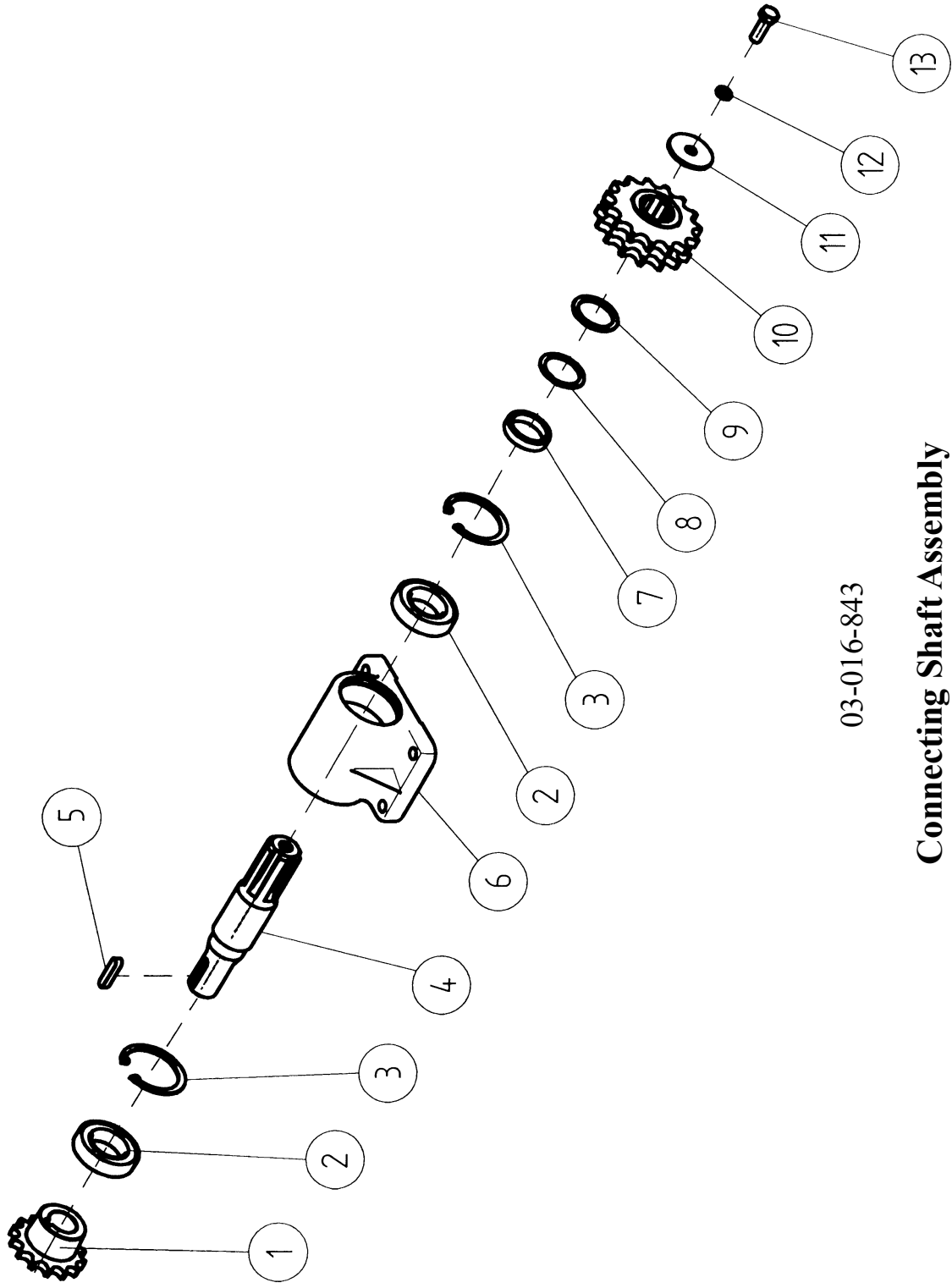
Part No. 01-024-074

Double End Drive Assy, Right Hand - 1630

015

Item #	Description	Part #	Pieces per header by model #			Remarks
			#830	#1230	#1630	
	Double end drive assy, RH	01-024-074		*	1	
			Pieces per individual unit			
1	Connecting shaft assy kit	03-016-844			1	See pp 36 & 37
"	Connecting shaft assy	03-016-843				" " " "
2	Clutch II & sprocket assy / 16, 18, 24	05-024-102			1	750Nm 500 Ft Lb
3	Chain tensioner assy	06-016-850			2	
4	Washer, shim -1mm (mach bushing)	13-005-993			2	Or as required for alignment
5	Washer, spacer - 2mm (" ")	13-005-994			2	Or as required for alignment
6	Bushing, spacer	31-016-820			1	
7	Washer, 2" special	100-3-3648			1	
8	Washer, lock	M10LW			1	
9	Screw, hex hd cap, grade 8.8	M10x25			1	
10	Screw, hex hd cap, grade 8.8	M10x45			4	
11	Washer, flat	M10FW			8	
12	Washer, lock	M10LW			4	
13	Hex Nut, plated	M10HN			4	
14	Weld hub & dble sprocket, 16 tooth	24-024-084W			1	
15	Sprocket, double - 13 tooth	24-005-817			1	
16	Washer, flat	M16FW			1	
17	Hair pin key, 5/32 - #9	900-25005			1	
18	Chain, double roller, link	12B2			1	82
19	Chain, double roller, link	12B2			1	108
20	Chain connector link, double	CL12B2			2	
21	(Clip for above)	"			"	

* Double end drive is an option



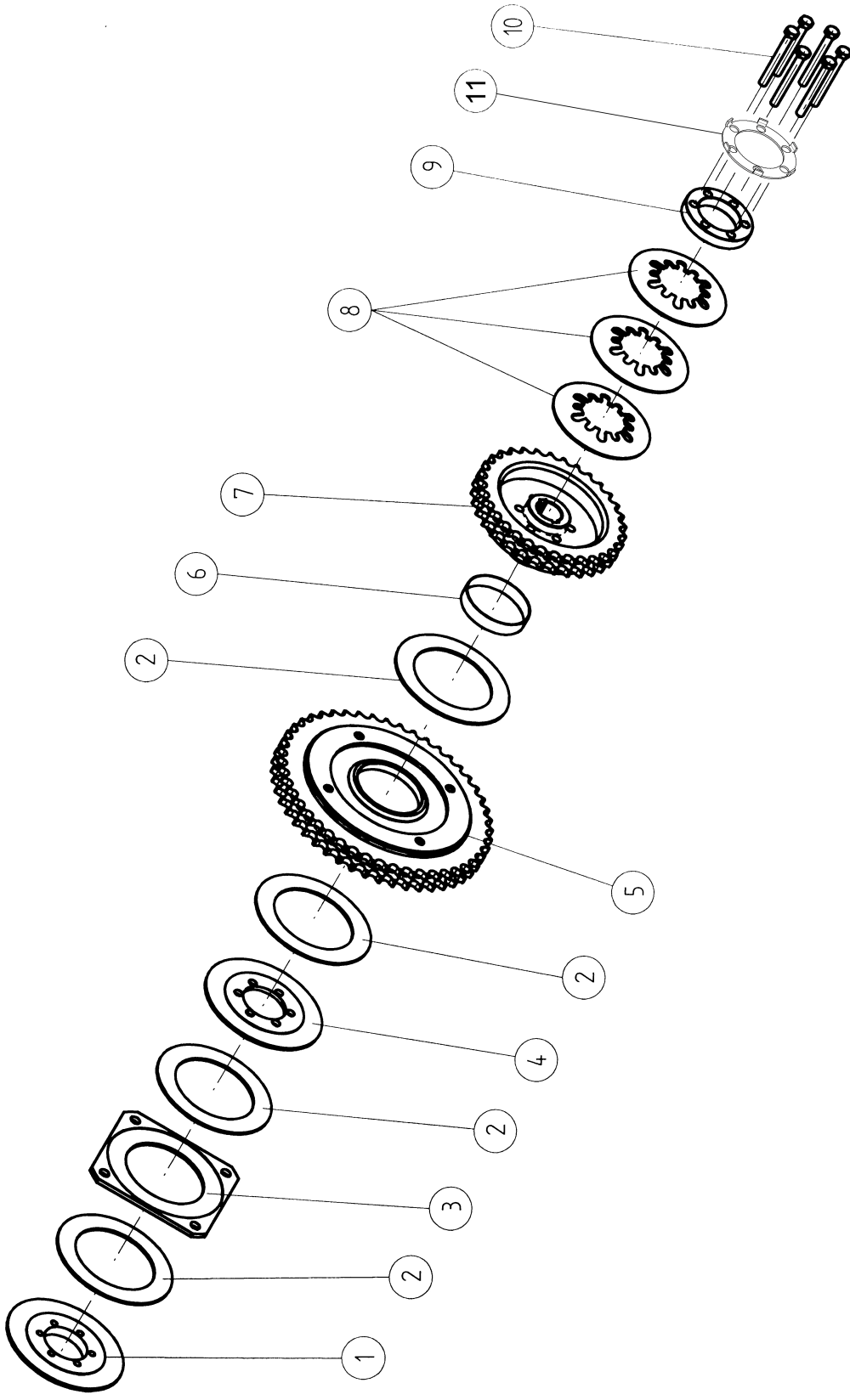
03-016-843

Connecting Shaft Assembly

Connecting Shaft Assy - 03-016-843

016

Item #	Description	Part #	Pieces per header by model number			Remarks
			#830	#1230	#1630	
	Connecting shaft assy	03-016-843	2	2	2	
			Pieces per individual unit			
1	Sprocket, 14 tooth	24-016-425	1	1	1	
2	Bearing, deep groove, ball w/seal	6007-2RS1	2	2	2	SKF
3	Snap ring	62MSZ231	2	2	2	
4	Shaft	30-016-851	1	1	1	
5	Key, 8x7x36mm	34-004-214	1	1	1	
6	Housing, bearing	40-004-209	1	1	1	
7	Spacer	31-016-852	1	1	1	
8	Washer, shim 1 mm	13-005-993	1	1	1	Or as needed
9	Washer, spacer 2 mm	13-005-994	1	1	1	Or as needed
10	Sprocket, dbl chain, 15 tooth	24-005-828	1	1	1	
11	Washer, flat	13-005-830	1	1	1	
12	Washer, lock	M10LW	1	1	1	
13	Screw, hex hd cap, grade 8.8	M10x30	1	1	1	

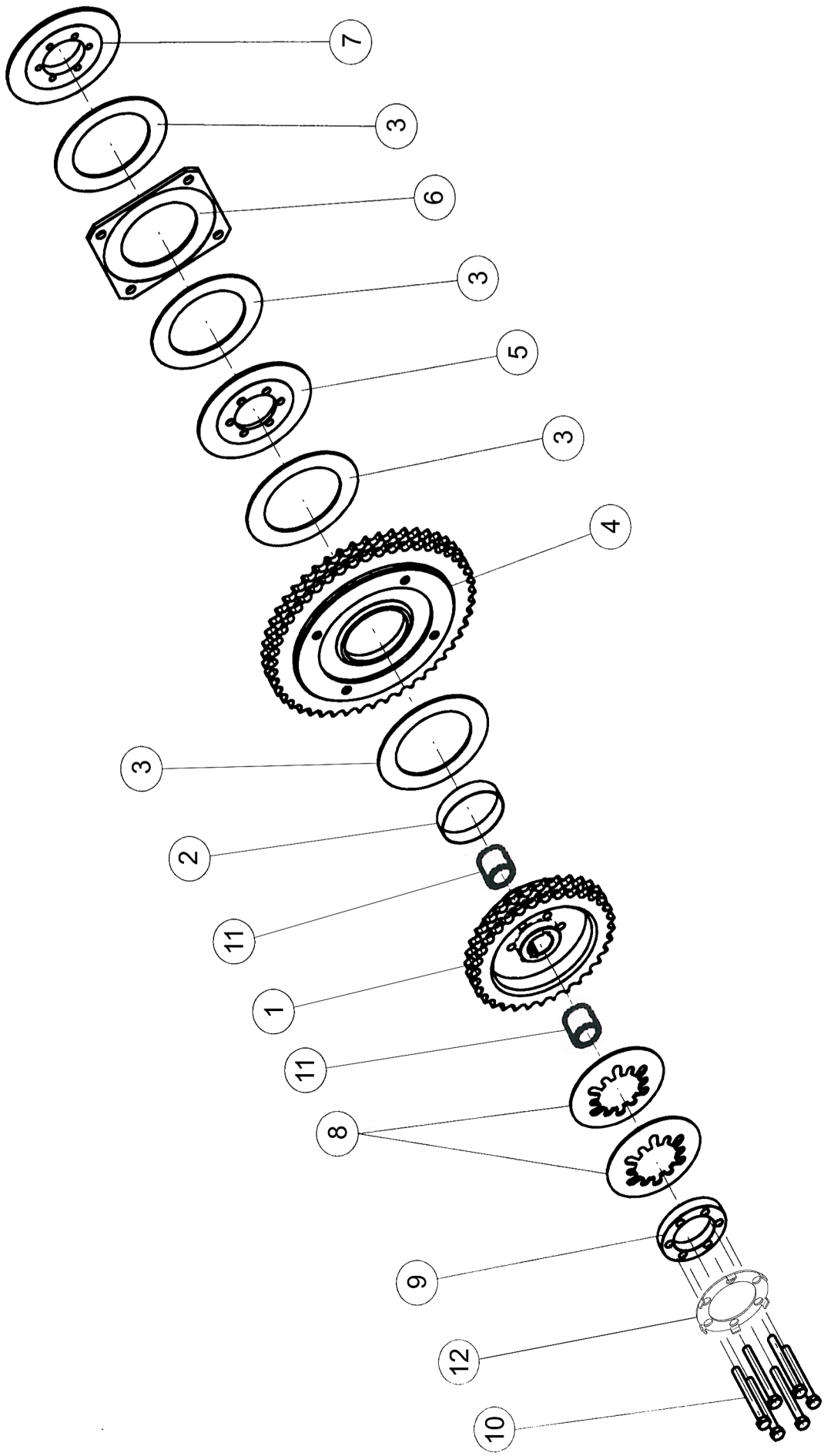


Clutch – Sprocket Assembly, Left Hand – 830, 1230 & 1630

**Clutch - Sprocket Assy,
Left Hand - 8, 12 & 16 Row**

017

Item #	Description	Part #	Pieces per header by model #			Remarks
			#830	#1230	#1630	
	Clutch / sprocket assy, LH, 8 & 12 row	05-016-848	1	1		1250Nm 900 ft lb
	Clutch / sprocket assy, LH, 16 row	05-024-101			1	1500Nm 1050 ft lb
			Pieces per individual unit			
1	Back plate, outer	29-016-867	1	1	1	
2	Friction disk, clutch	RONA 63/TAU	4	4	4	
3	Collar, backing plate	29-016-868	1	1	1	
4	Back plate, inner	29-016-869	1	1	1	
5	Sprocket assy, main	07-016-866	1	1	1	
6	Band	14-016-859	1	1	1	
7	Sprocket assy, driven - PTO	07-016-865	1	1	1	
8	Spring plate	043 491	2	3	3	
9	Collar, pressure	29-016-870	1	1	1	
10	Screw, hex hd cap, grade 8.8	M10x80	6	-	-	
"	Screw, hex hd cap, grade 8.8	M10x90	-	6	6	
11	Lock tab, clutch assy	13-004-305	-	1	1	



Clutch - Sprocket Assembly

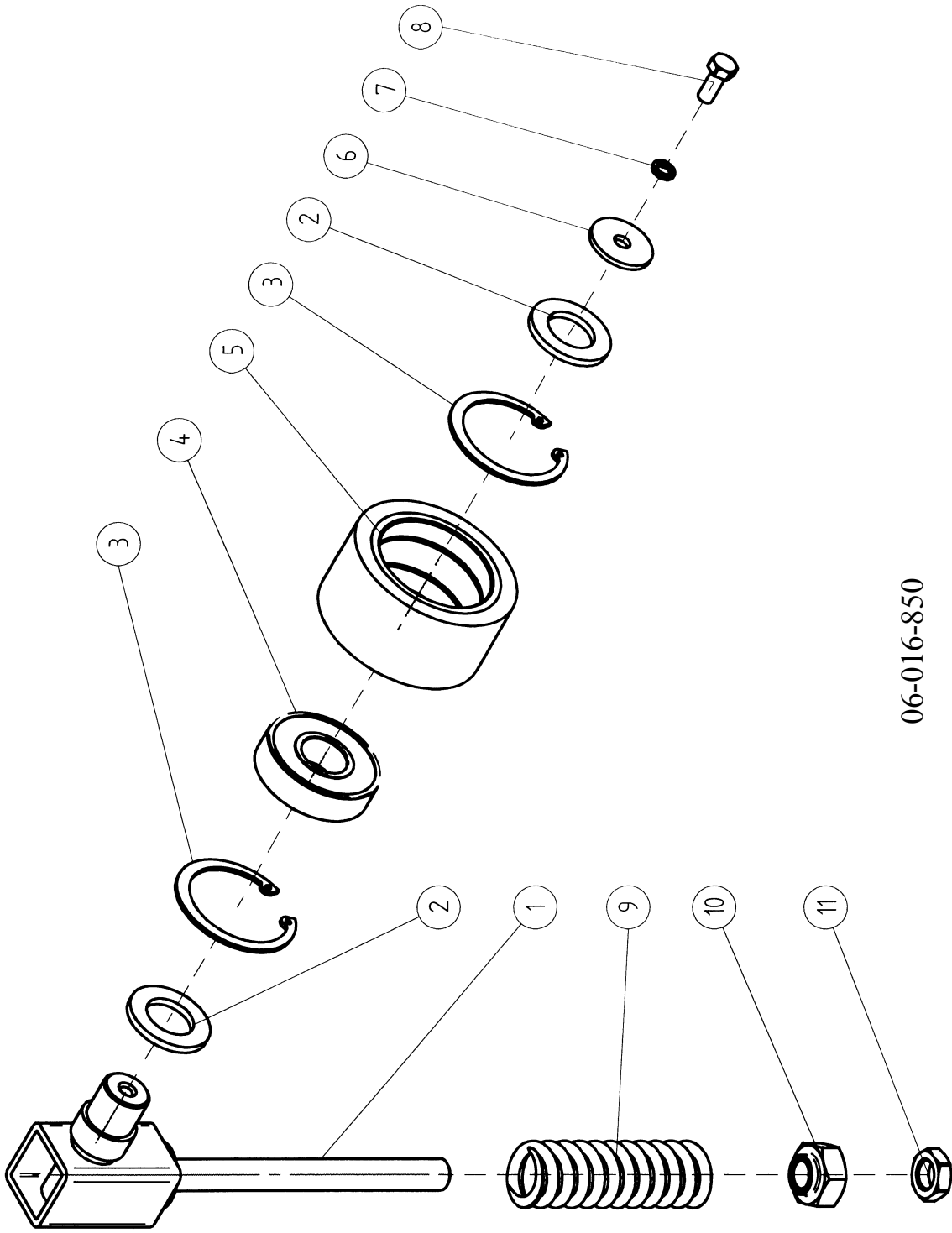
Right hand - 830, 1230 & 1630

Clutch - Sprocket Assy, Right Hand - 1630

018

Item #	Description	Part #	#830	#1230	#1630		
	Clutch - sprocket assy, RH, 1230	01-001-829				Standard	
	" " " " "	05-024-102 *		1*		Optional	
	Clutch / sprocket assy, RH, 1630	05-024-102			1	1500Nm 1050 ft lb (Standard)	
			Pieces per individual unit				
1	Sprocket assy, driven - PTO	07-024-103		1	1		
2	Band	14-016-859		1	1		
3	Friction disk, clutch	RONA 63/TAU		4	4		
4	Sprocket assy, main	07-016-866		1	1		
5	Back plate, inner	29-016-869		1	1		
6	Collar, backing plate	29-016-868		1	1		
7	Back plate, outer	29-016-867		1	1		
8	Spring plate	043 491		2	2		
9	Collar, pressure	29-016-870		1	1		
10	Bolt, hex hd cap, grade 8.8	M10x90		6	6		
11	Bushing, bronze	PM3535SY		2	2		
12	Lock tab, clutch assy	13-004-305		1	1		

* Optional on 1230 row headers. Standard, right hand, single drive is shown on pages 30 & 31. By installing this clutch, the right hand gearboxes have additional protection.



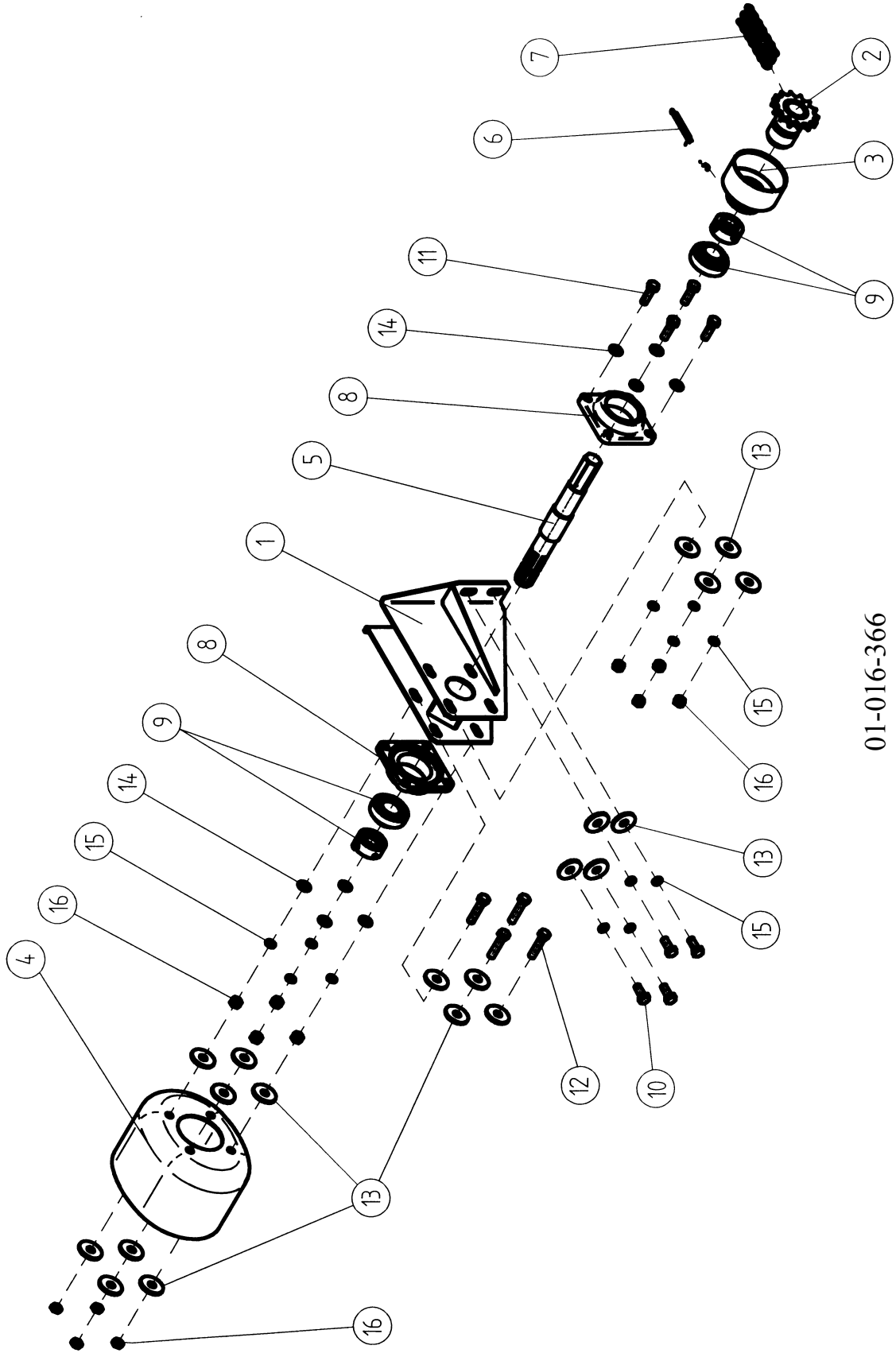
06-016-850

Chain Tensioner Assembly

Drive Shaft Assy

020

Item #	Description	Part #	Pieces per Header by model #			Remarks
			#830	#1230	#1630	
	Drive shaft assy	01-001-831	1			
	Drive shaft assy	01-001-835		1		After Ser. No. M11650
	Drive shaft assy	01-001-836			1	" " " "
1	Drive shaft	30-016-891	1			" " " "
1	Drive shaft	30-016-894		1		" " " "
1	Drive shaft	30-016-895			1	" " " "
2	Shaft guard	02-016-898	1			
2	Shaft guard	02-016-901		1		
2	Shaft guard	02-016-902			1	
3	Washer, flat	13-005-830	1	1	1	
4	Sprocket, double	See right column	1	1	1	Depends on combine
5	Spacer	31-016-852	1	1	1	
6	Shim I	13-005-993	1	1	1	As needed
7	Shim II	13-005-994	1	1	1	As needed
8	Locking collar (for Y bearing below)	YT-207	2	2	2	SKF w/ bearing
9	Y bearing	YT-207	2	2	2	SKF
10	Housing, bearing	FY-507	2	2	2	SKF
11	Nut, extended M12x50	33-016-879	4	4	4	
12	Plastic tube extension	60-016-878	1	1	1	
13	Wood washer	13-016-883	4	4	4	
14	Safety cone	61-016-441	1	1	1	
15	Washer, lock	M10LW	1	1	1	
16	Screw, hex hd cap, grade 8.8	M10x30	1	1	1	
17	Screw, hex hd cap, grade 8.8	M12x40	4	4	4	
17a	Screw, hex hd cap, grade 8.8	M12x50	4	4	4	
18	Washer, flat	M12FW	8	8	8	
19	Washer, lock	M12LW	16	16	16	
20	Nut, hex	M12HN	8	8	8	
21	Washer (previously used wood)	M12FW	4	4	4	
22	Screw, hex hd cap, grade 8.8	M12x30	8	8	8	



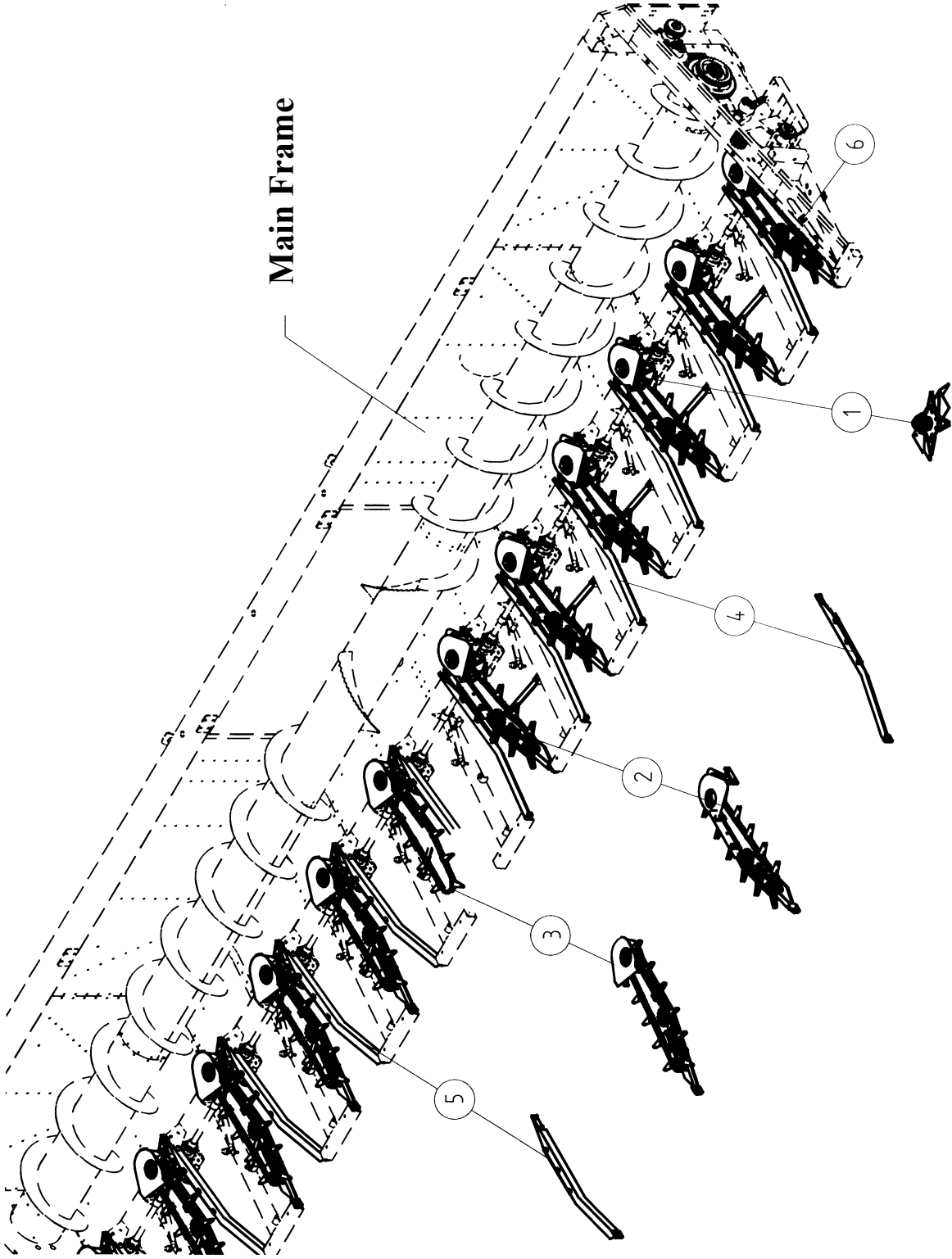
01-016-366

JD-9600 Drive Assy

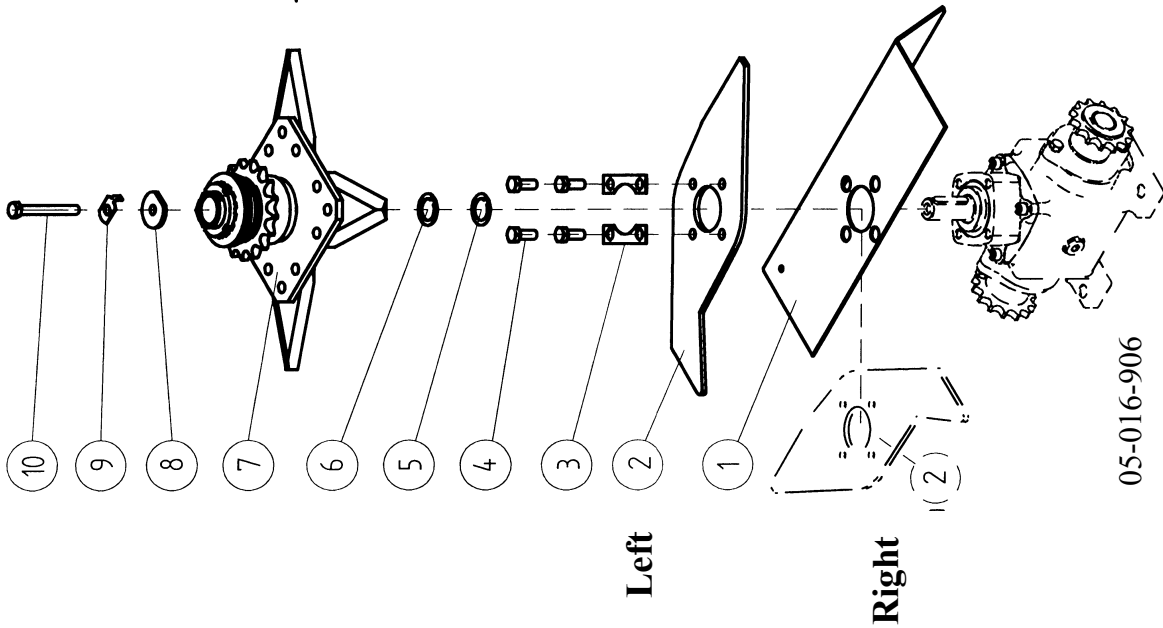
JD-9600 Drive Kit Assy - 01-016-366

021

Item #	Description	Part #	Pieces per Header by model #			Remarks
			#830	#1230	#1630	
	JD-9600 drive kit assy	01-016-366	1	1	1	
1	Bearing support, welded	02-016-450	1	1	1	
2	Sprocket	07-016-451	1	1	1	
3	Bushing	02-016-452	1	1	1	
4	Safety cone	61-016-441	1	1	1	
5	Countershaft	30-016-455	1	1	1	
6	Spring	50-016-456	1	1	1	
7	Chain, double roller - 14 link	12B-14	1	1	1	
8	Housing, bearing	FY-507	2	2	2	
9	Y bearing with tapered bushing	YT-207	2	2	2	
10	Screw, hex cap, grade 8.8	M12x30	4	4	4	
11	Screw, hex cap, grade 8.8	M12x40	4	4	4	
12	Screw, hex cap, grade 8.8	M12x55	4	4	4	
13	Washer (previously used wood)	M12W	20	20	20	
14	Washer, flat	M12FW	8	8	8	
15	Washer, lock	M12LW	12	12	12	
16	Nut, hex, grade 8	M12HN	12	12	12	



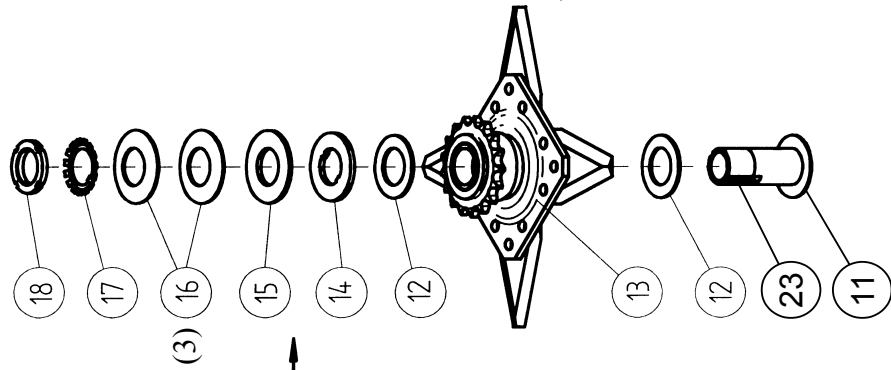
Row Units



05-016-906

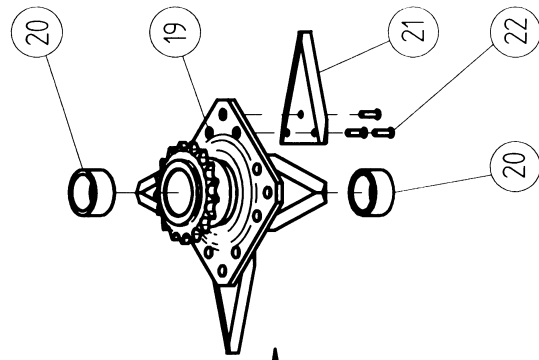
Left

Right



**Rotary Cutter
Group 7**

05-016-908



**Blade Assembly
Group 13**

05-006-034

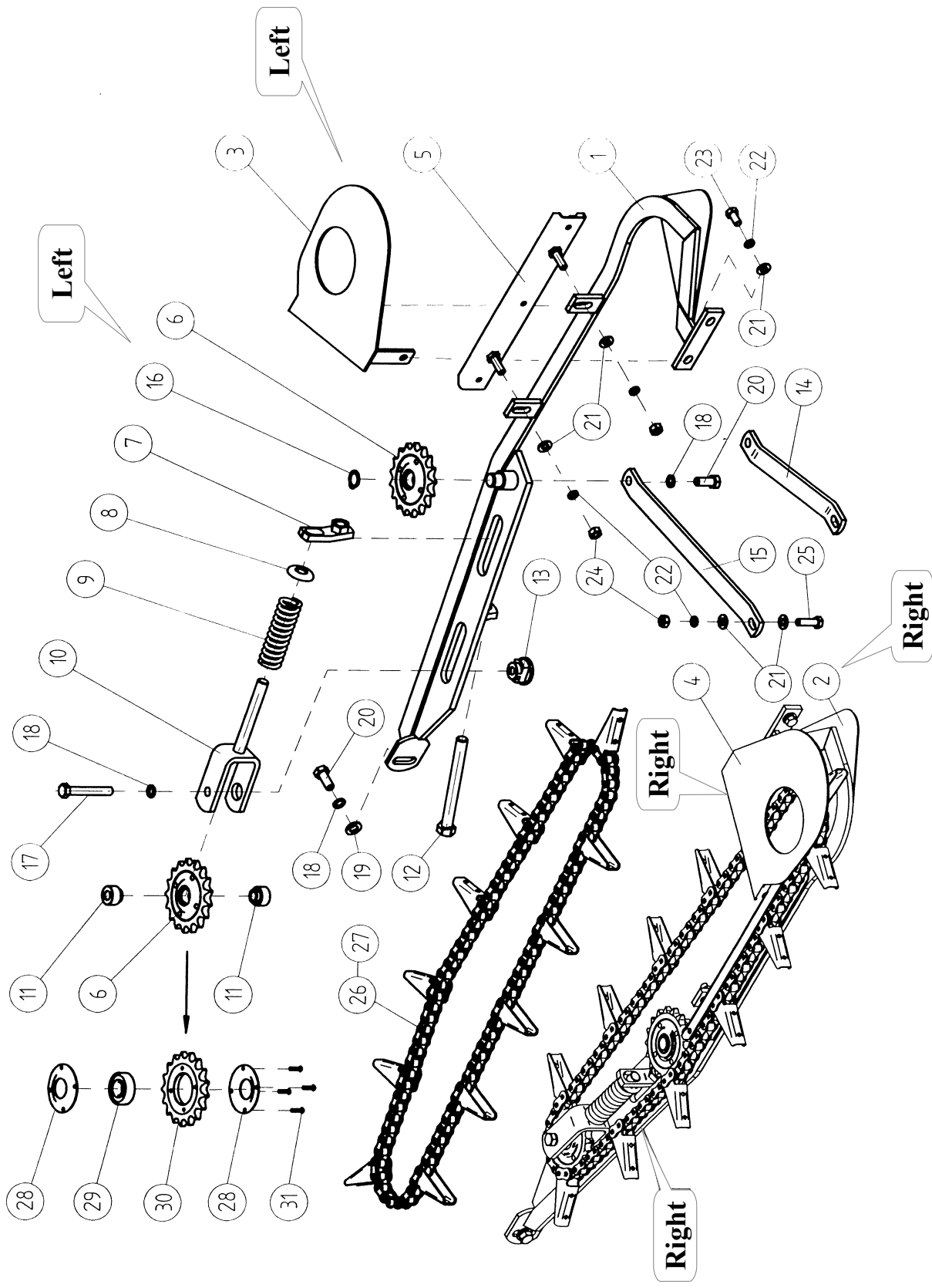
Rotary Cutting Mechanism

Rotary Cutting Mechanism - 05-016-906

023

Item #	Description	Part #	Pieces per header by model #			Remarks
			#830	#1230	#1630	
	Rotary cutting mechanism	05-016-906	8	12	16	All parts above
			Pieces per individual unit			
1	Base plate	14-004-297	1	1	1	
2	Cutting edge, stationary - left	13-006-025	1	1	1	
2	Cutting edge, stationary - right	13-006-026	1	1	1	
3	Plate, locking	12-004-299	2	2	2	
4	Screw, hex hd cap, grade 8.8	M10x25	4	4	4	
5	Shim 1mm (As needed)	13-004-300	1	1	1	Old P/N -- 2-600-181/A
6	Shim 0.5mm (As needed)	13-004-301	1	1	1	Old P/N -- 2-600-181/B
7	Rotary cutter	05-016-908	1	1	1	
8	Bushing, upper	29-004-302	1	1	1	Old P/N -- 2-600-180
9	Washer, lock	13-004-303L	1	1	1	
10	Screw, hex hd cap, grade 8.8	M10x80	1	1	1	
Group 7	Rotary cutter assy	05-016-908	1	1	1	
11	Hub, blade	02-006-035	1	1	1	
23	Key, flat, round end, 8x7x45mm	34-004-183	1	1	1	added
12	Friction disk, drive	61-016-910	2	2	2	
13	Blade assy	05-006-034	1	1	1	
14	Upper disk	29-016-911	1	1	1	
15	Pressure plate	29-016-912	1	1	1	
16	Washer, belleville spring	51-016-495	3	3	3	was (2)
17	Washer, locking - (2) internal tabs / (7) ext	13-004-304	1	1	1	
18	Nut, round - (4) slots - M40x1.5 x 12mm *	33-027-249	1	1	1	Torque slip clutches to 120 ft lbs
Group 13	Blade assy.	05-006-034	1	1	1	
19	Sprocket, driver - 17 tooth	02-006-036	1	1	1	
20	Bushing Dia=50; d=40; x2,5 SINT C 00	32-004-319	2	2	2	
21	Blade	13-006-037	4	4	4	
22	Rivet d=6x22	06x22	12	12	12	
23	See "Remarks"	>>>				Item 23 is in "Group 7" above

* 12mm = .472 inches

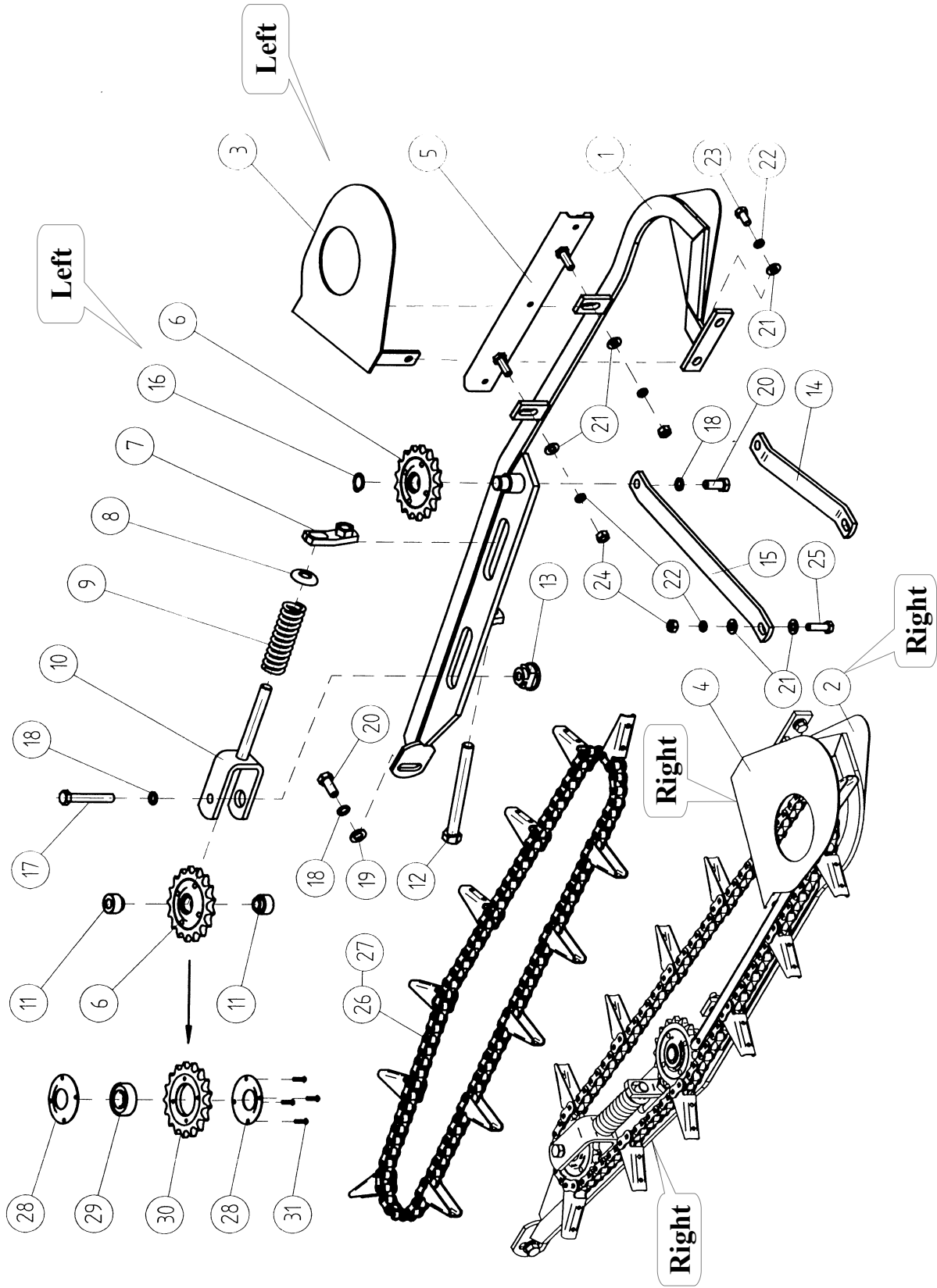


Gathering Chain and Tensioner Assembly RH / LH

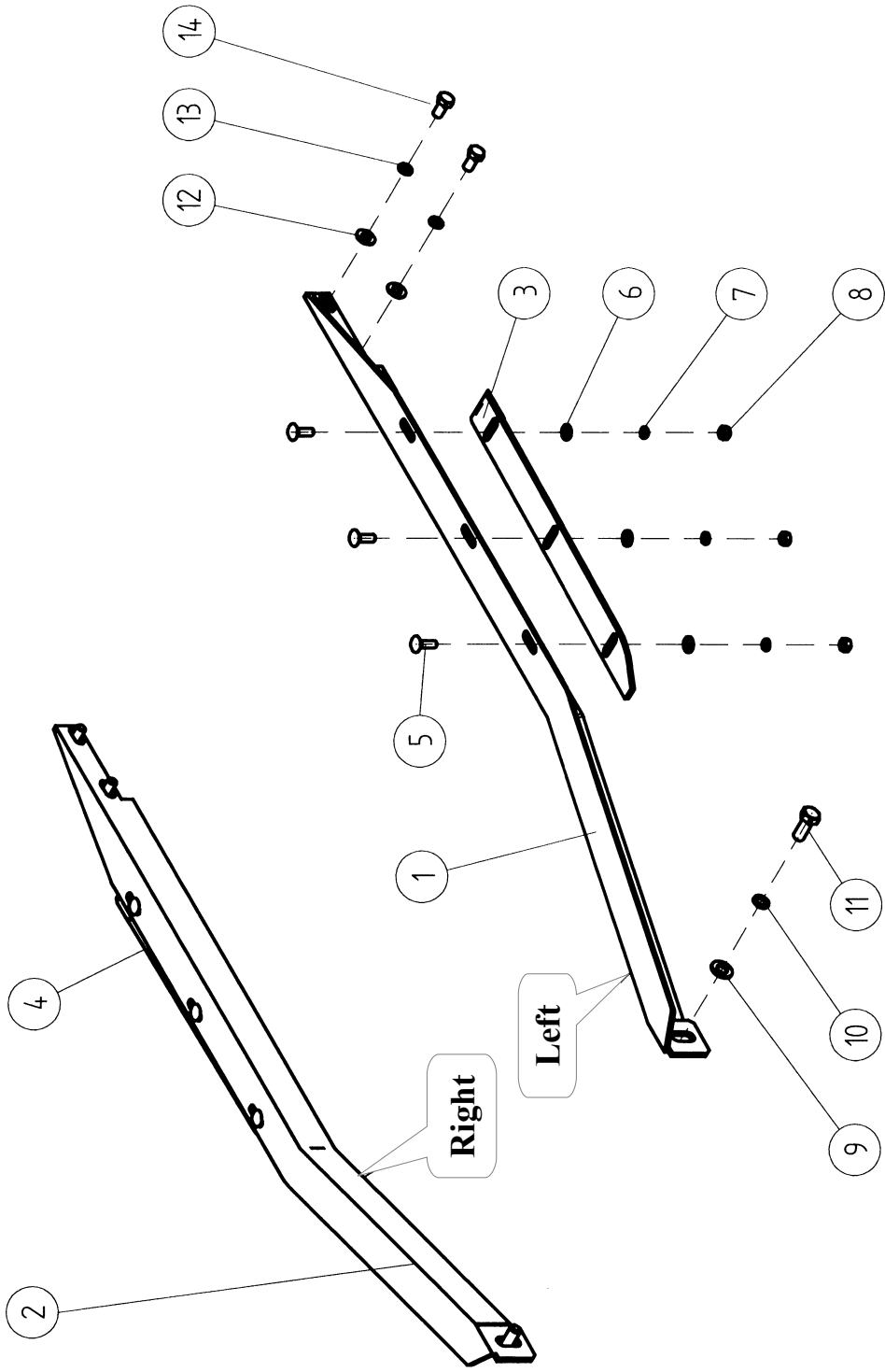
Gathering Chain and Tensioner Assembly, RH / LH

024

Item #	Description	Part #	Pieces per Header by model #			Remarks
			#830	#1230	#1630	
	Gathering chain & tensioner assy	01-001-201	4	6	8	
	Gathering chain & tensioner assy	01-001-202	4	6	8	
			Pieces per individual unit			
1	Chain tensioner bracker LH	02-027-201	1	1	1	
2	Chain tensioner bracker RH	02-027-202	1	1	1	
3	Stalk ejector LH	02-016-483	1	1	1	
4	Stalk ejector RH	02-016-484	1	1	1	
5	Chain guide	02-006-023	1	1	1	
6	Sprocket, riveted - 17 tooth	06-006-056	2	2	2	
7	Spring retainer	02-027-212	1	1	1	
8	Washer, bent	14-027-210	1	1	1	
9	Spring	50-004-340	1	1	1	P/N was 50-044-340
10	Bracket	02-027-209	1	1	1	
11	Spacer	31-006-061	2	2	2	
12	Screw, tightener	02-027-215	1	1	1	
13	Nut	33-006-062	2	2	2	
14	Outer bracket	52-006-031	1	1	1	2 pcs/header
15	Inner bracket	52-011-640	1	1	1	
16	Snap ring d=20mm	7020002001	1	1	1	



Gathering Chain and Tensioner Assembly RH / LH

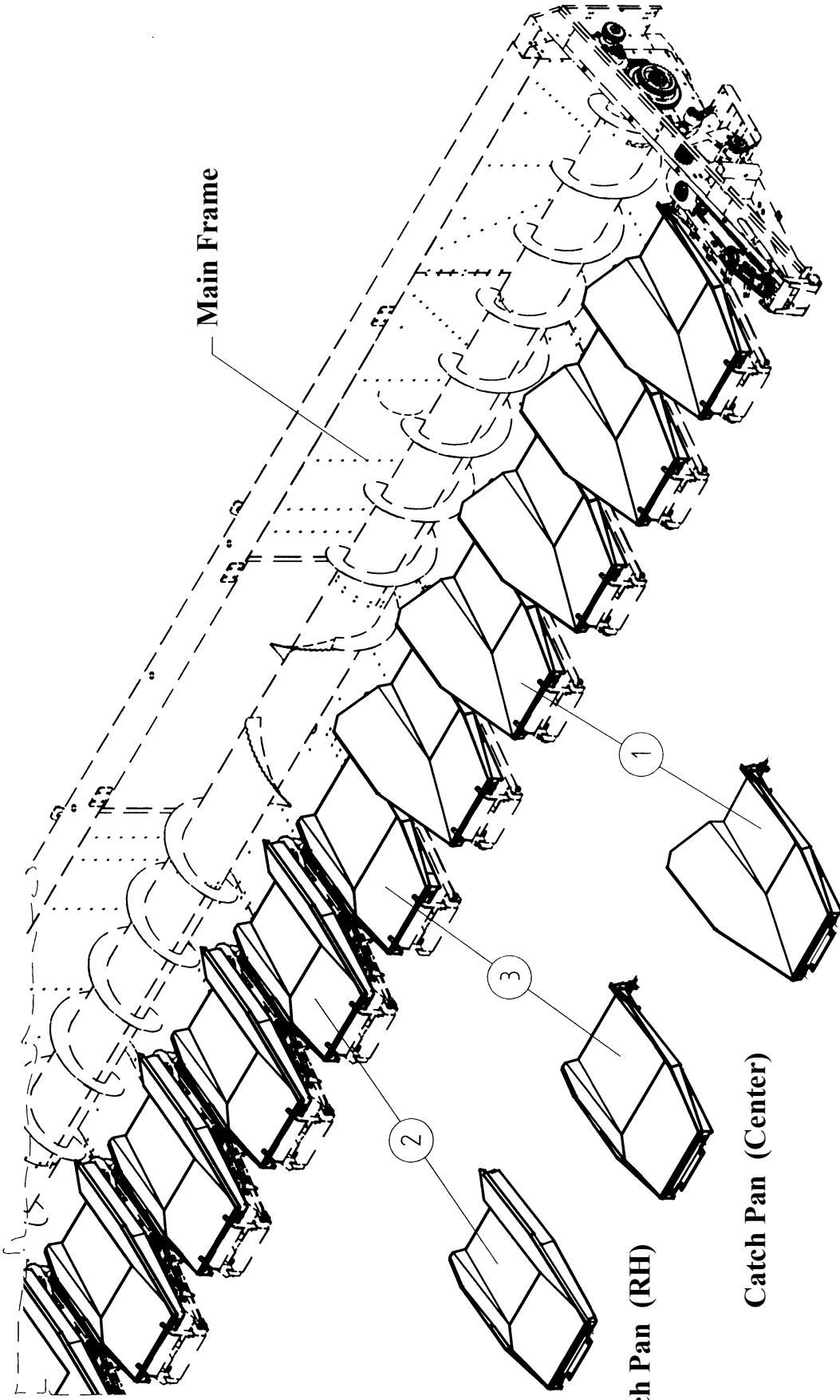


Chain Guide Assembly RH / LH

Chain Guide Assembly RH / LH

025

Item #	Description	Part #	Pieces per Header by Model #			Remarks
			#830	#1230	#1630	
	Chain guide assy (LH)	01-001-080	4	6	8	
	Chain guide assy (RH)	01-001-081	4	6	8	
			Pieces per individual unit			
1	Guide (LH)	02-006-084	1	1	1	
2	Guide (RH)	02-006-085	1	1	1	
3	Adjustable plate (LH)	12-006-082	1	1	1	
4	Adjustable plate (RH)	12-006-083	1	1	1	
5	Bolt, carriage - grade 4.6	M8x25CB	3	3	3	
6	Washer, flat	M8FW	3	3	3	
7	Washer, lock	M8LW	3	3	3	
8	Nut, hex, grade 8	M8HN	3	3	3	
9	Washer, flat	M12FW	1	1	1	
10	Washer, lock	M12LW	1	1	1	
11	Screw, hex hd cap, grade 8.8	M12x30	1	1	1	
12	Washer, special - 2 flats	13-009-251	2	2	2	was 13-006-251
13	Washer, lock	M10LW	2	2	2	
14	Screw, hex hd cap, grade 8.8	M10x20	2	2	2	



Main Frame

1

Catch Pan (LH)

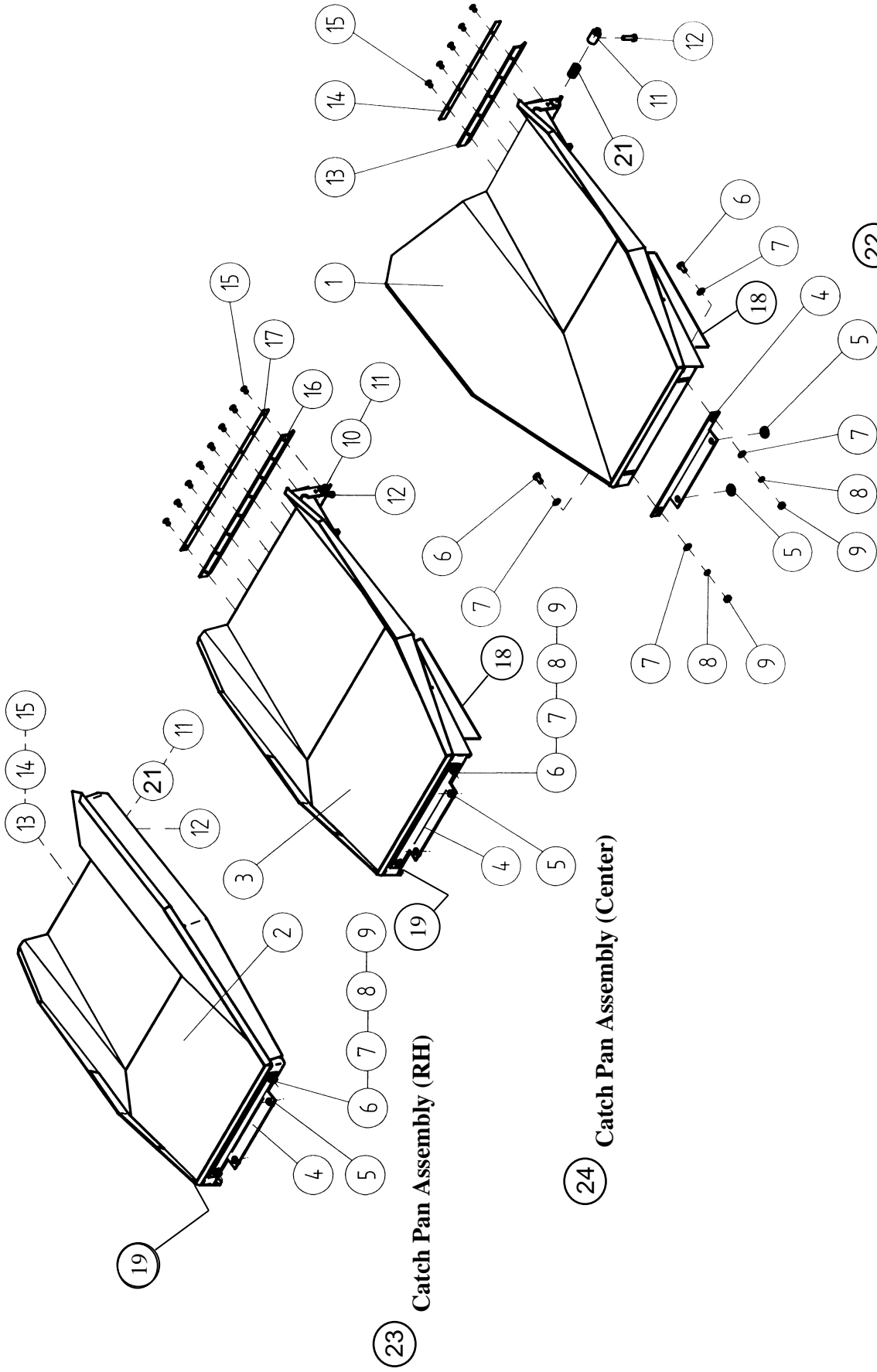
3

Catch Pan (Center)

2

Catch Pan (RH)

Vibrating Catch Pan Assemblies

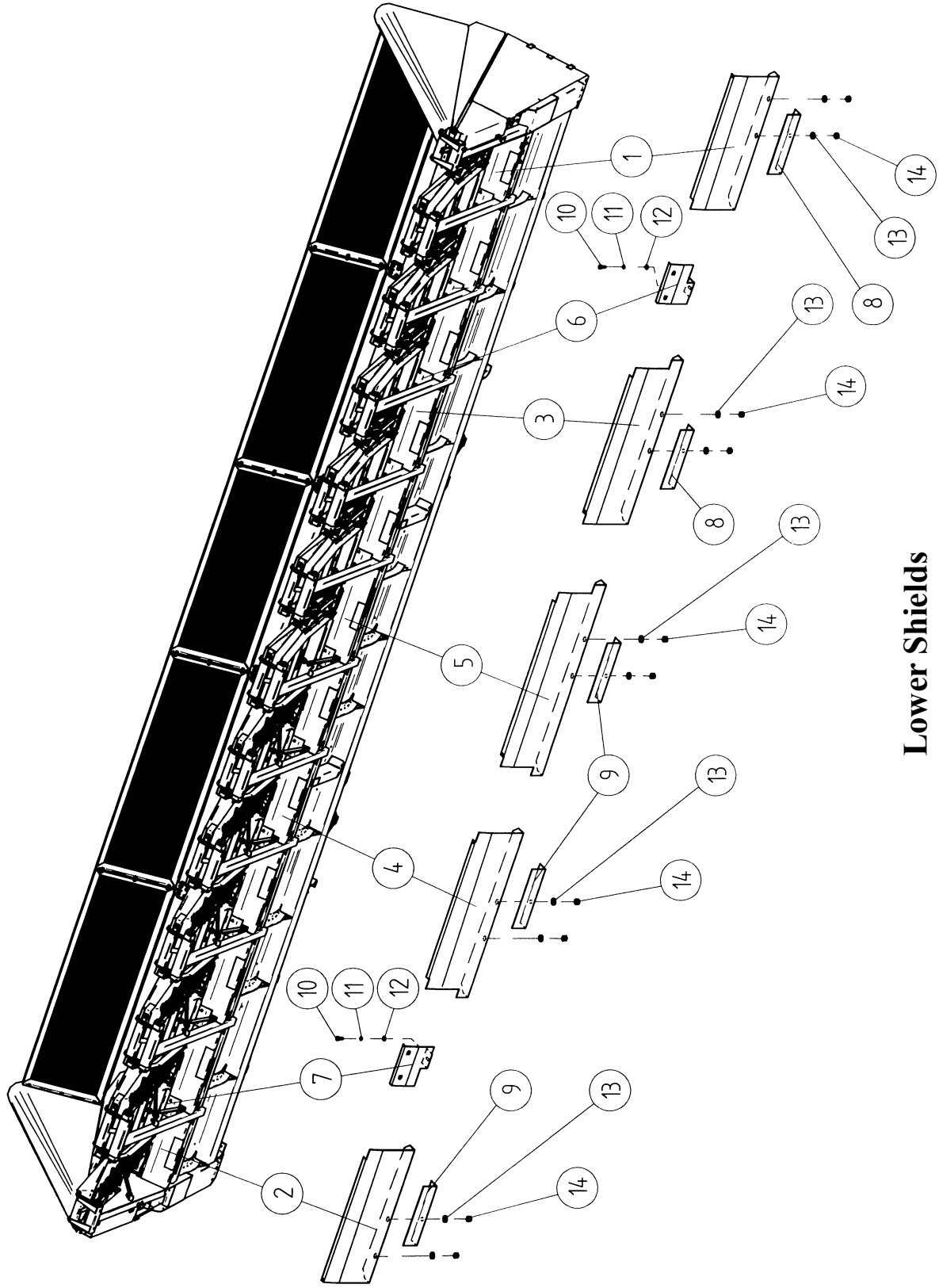


Vibrating Catch Pan Assemblies

Vibrating Catch Pan Assy's, 30"

027

Item #	Description	Part #	Pieces per header by model #				Remarks
			#830	#1230	#1630		
22	Vibrating catch pan assy, LH	01-001-805	3	5	7		
18	Filler plate, LH	14-006-232	4	6	8		
23	Vibrating catch pan assy, RH	01-001-806	3	5	7		
19	Filler plate, RH	14-006-231	4	6	8		
24	Vibrating catch pan assy, center	01-001-647	1	1	1		
	Total pans		7	11	15		
	Total filler plates		8	12	16		
			Pieces per individual unit				
1	Catch pan w/dmt, LH - 30"	01-016-805	1	1	1		
2	Catch pan w/dmt, RH - 30"	01-016-806	1	1	1		
3	Catch pan w/dmt, center -30"	01-016-647	1	1	1		
4	Bracket, vib. table, 30"	14-009-458	1	1	1		
5	Rubber, foot - cushion	61-016-807	2	2	2		
6	Screw, hex hd cap, grade 8.8	M10x20	2	2	2		
7	Washer, flat	M10FW	4	4	4		
8	Washer, lock	M10LW	2	2	2		
9	Nut, hex. Grade 8	M10HN	2	2	2		
10	Spring (see remarks col.)	50-009-265	2	2	2	(2) per on center pan only	
21	Spring (see remarks col.)	50-009-266	1	1	1	(1) per on all LH & RH pans	
11	Pin, vibrating table	31-004-574	2	2	2		
12	Screw, hex hd cap, grade 8.8	M8x35	2	2	2		
13	Rubber flap, 30" (LH & RH)	65-011-661	1	1	1		
14	Flap mount, 30" (LH & RH)	13-011-663	1	1	1		
15	Rivet, pop, d=4, 8x16 (3/16)	04-8x16N	5	5	5	double for center pan	
16	Rubber flap, center - 30"	65-011-662	1	1	1		
17	Flap mount, center - 30"	13-011-664	1	1	1		

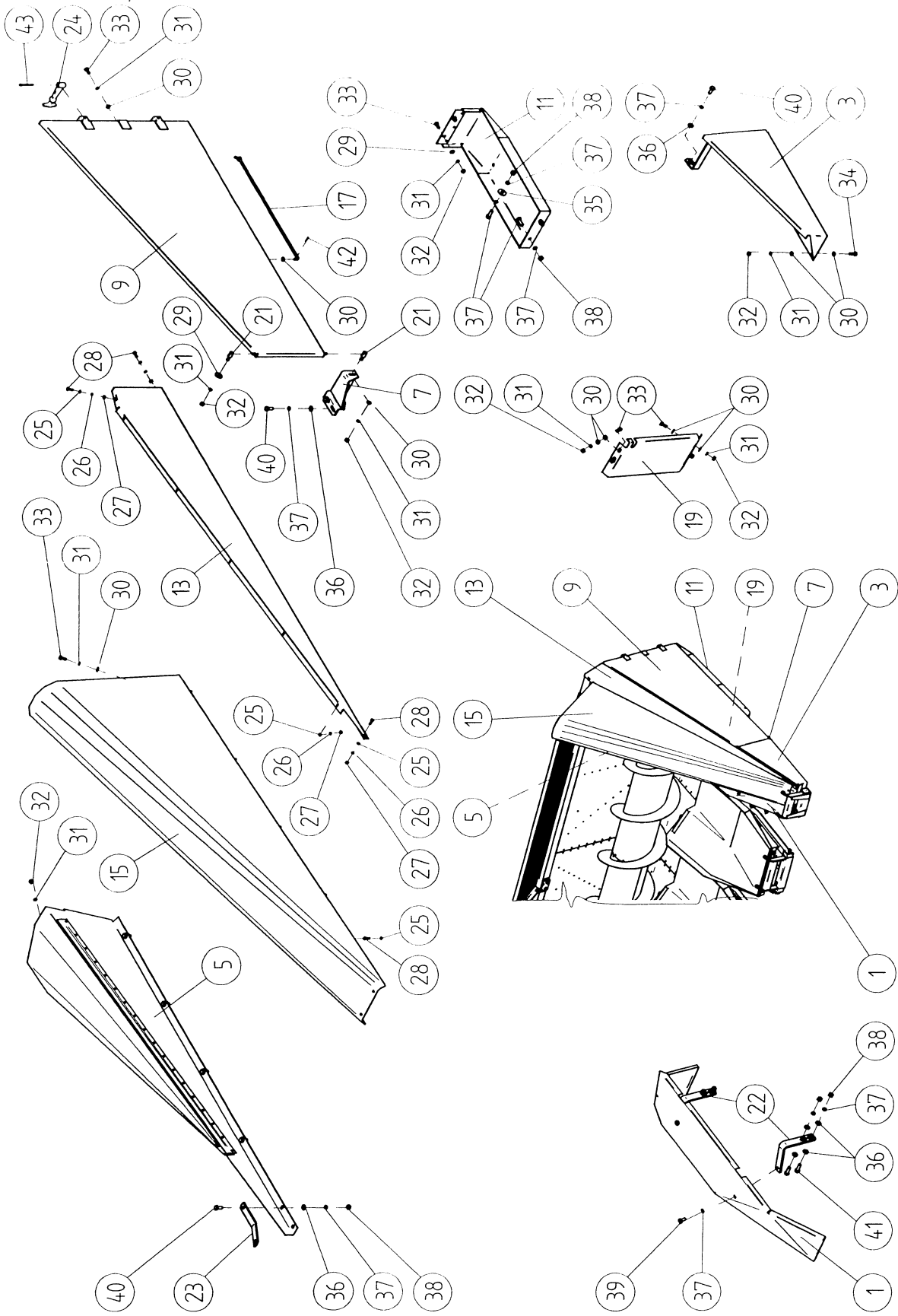


Lower Shields

Lower Shields

028

Item #	Description	Part #	Pieces per header by Model #				Remarks
			#830	#1230	#1630		
	Lower shield assy, 830	01-001-520	1				
	Lower shield assy, 1230	01-001-521		1			
	Lower shield assy, 1630	01-001-522			1		
1	Lower shield, outer (LH)	14-011-693	1	1	1		
2	Lower shield, outer (RH)	14-011-694	1	1	1		
3	Lower shield, inner (LH)	14-011-695	2	4	6		
4	Lower shield, inner (RH)	14-011-696	3	5	7		
5	Lower shield, intermediate (LH)	14-011-697	1	1	1		
6	Shield extension (LH)	14-009-385	4	6	8		
7	Shield extension (RH)	14-009-386	3	5	7		
8	Wear plate (LH)	14-016-939	4	6	8		
9	Wear plate (RH)	14-016-940	4	6	8		
10	Screw, hex hd cap, grade 8.8	M8x20	7	11	15		
11	Washer, flat	M8FW	7	11	15		
12	Washer, lock	M8LW	7	11	15		
13	Washer flat	M12FW	16	24	32		
14	Nut, hex, grade 8	M12HN	16	24	32		



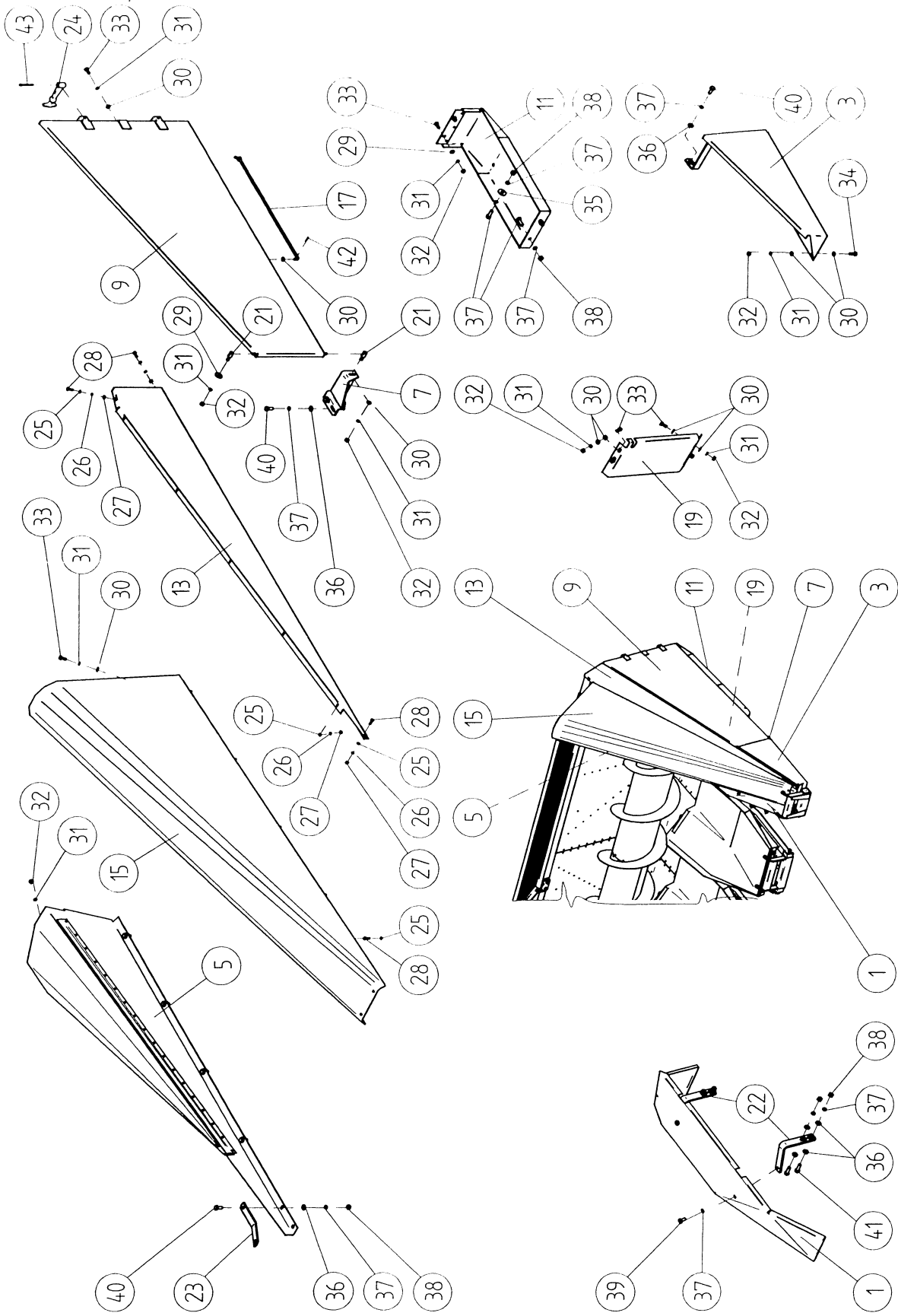
Shields, Left Hand

Shields, Left Hand

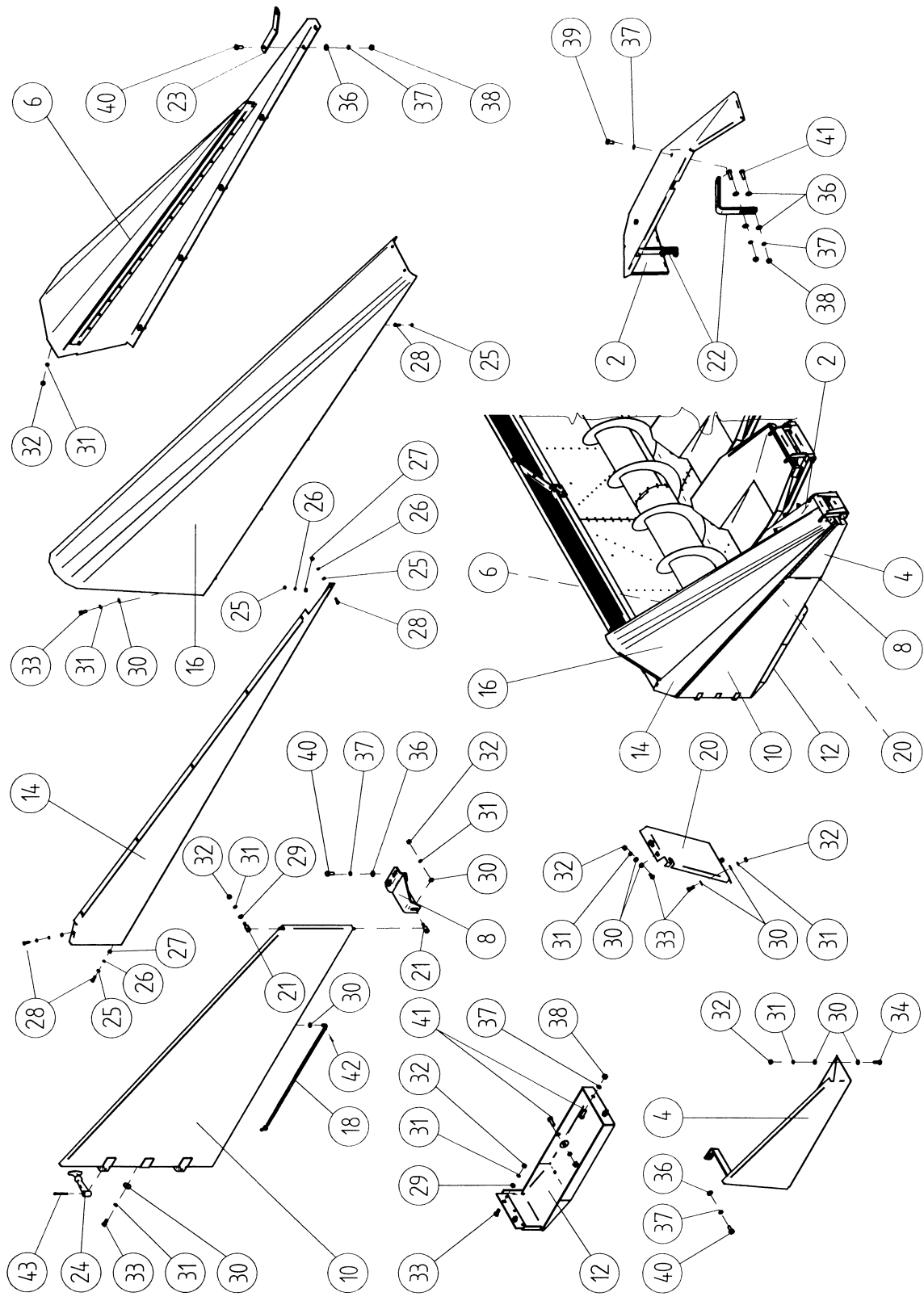
029

Item #	Description	Part #	Pieces per Header by Model #			Remarks
			#830	#1230	#1630	
	End shield assy, 30" - LH & RH	01-001-530	-	-	-	P/N, both LH & RH
1	Plate guide (LH)	02-016-813	1	1	1	
3	Insert (LH)	02-016-501	1	1	1	
5	Plate guide (LH)	02-016-503	1	1	1	
7	Door hinge (LH)	02-016-525	1	1	1	
9	Door (LH)	02-016-531	1	1	1	
11	Slide plate (LH)	02-016-509	1	1	1	
13	Outer plate (LH)	02-016-567	1	1	1	
15	Plate, side, upper (LH)	02-016-541	1	1	1	
17	Rod, reinforcement (LH)	02-016-530	1	1	1	
19	Plate lower (LH)	14-016-519	1	1	1	
			Common to LH & RH			
21	Hinge, pivot -door	12-016-518	2	2	2	
22	Plate bracket	12-005-594	2	2	2	
23	Bracket	13-016-569	1	1	1	
24	Rubber strap assy	100-3-4417 *	2	2	2	Old P/N -- 801-991
25	Washer, flat	M6FW	16	16	16	
26	Washer, lock	M6LW	8	8	8	
27	Nut, hex grade 8	M6HN	8	8	8	
28	Screw, hex hd cap, grade 8.8	M6x20	8	8	8	
29	Washer (previously used wood)	M8W	2	2	2	
30	Washer, flat	M8FW	15	15	15	

* Sheyenne Part No.



Shields, Left Hand



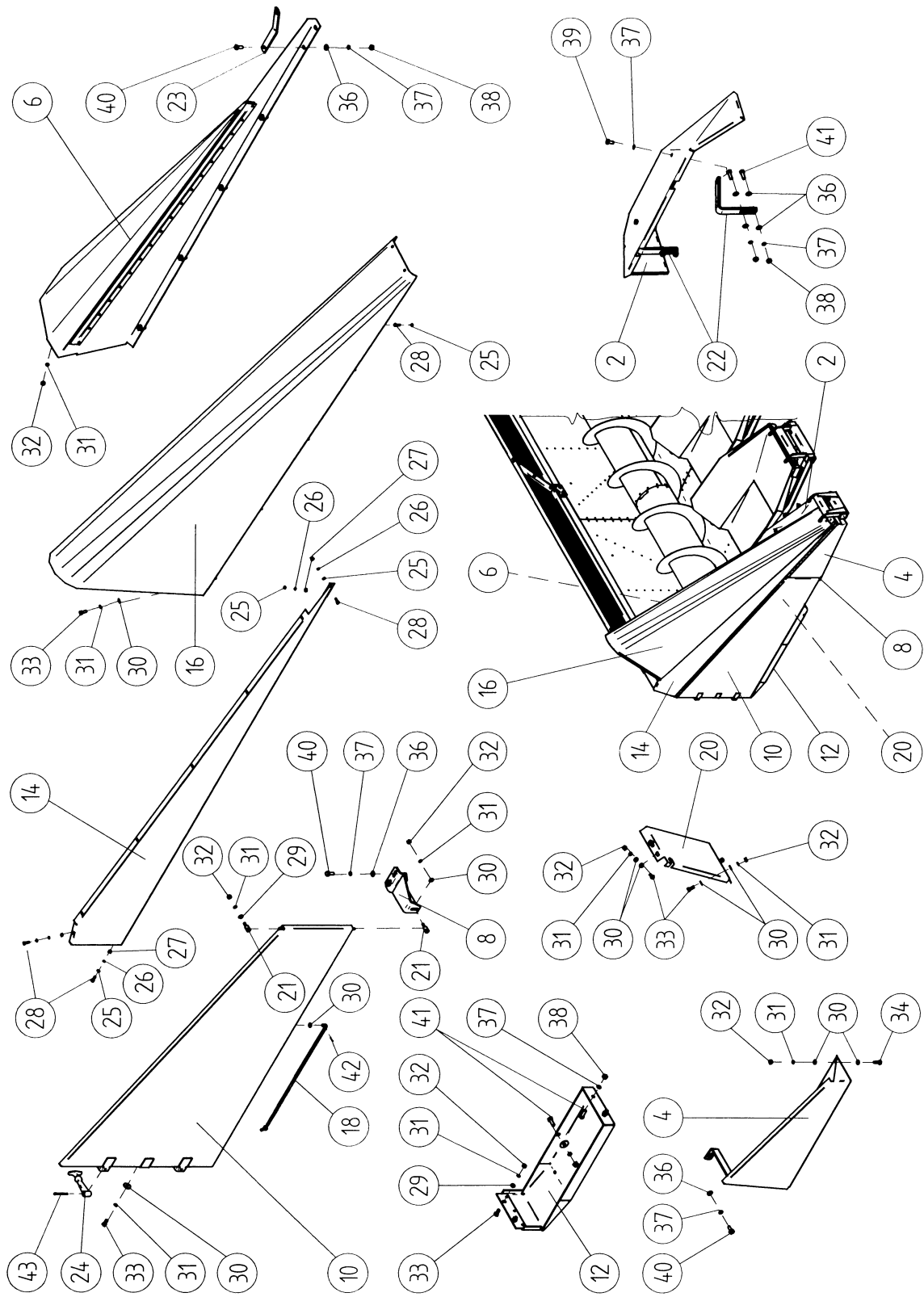
Shields, Right Hand

Shields, Right Hand

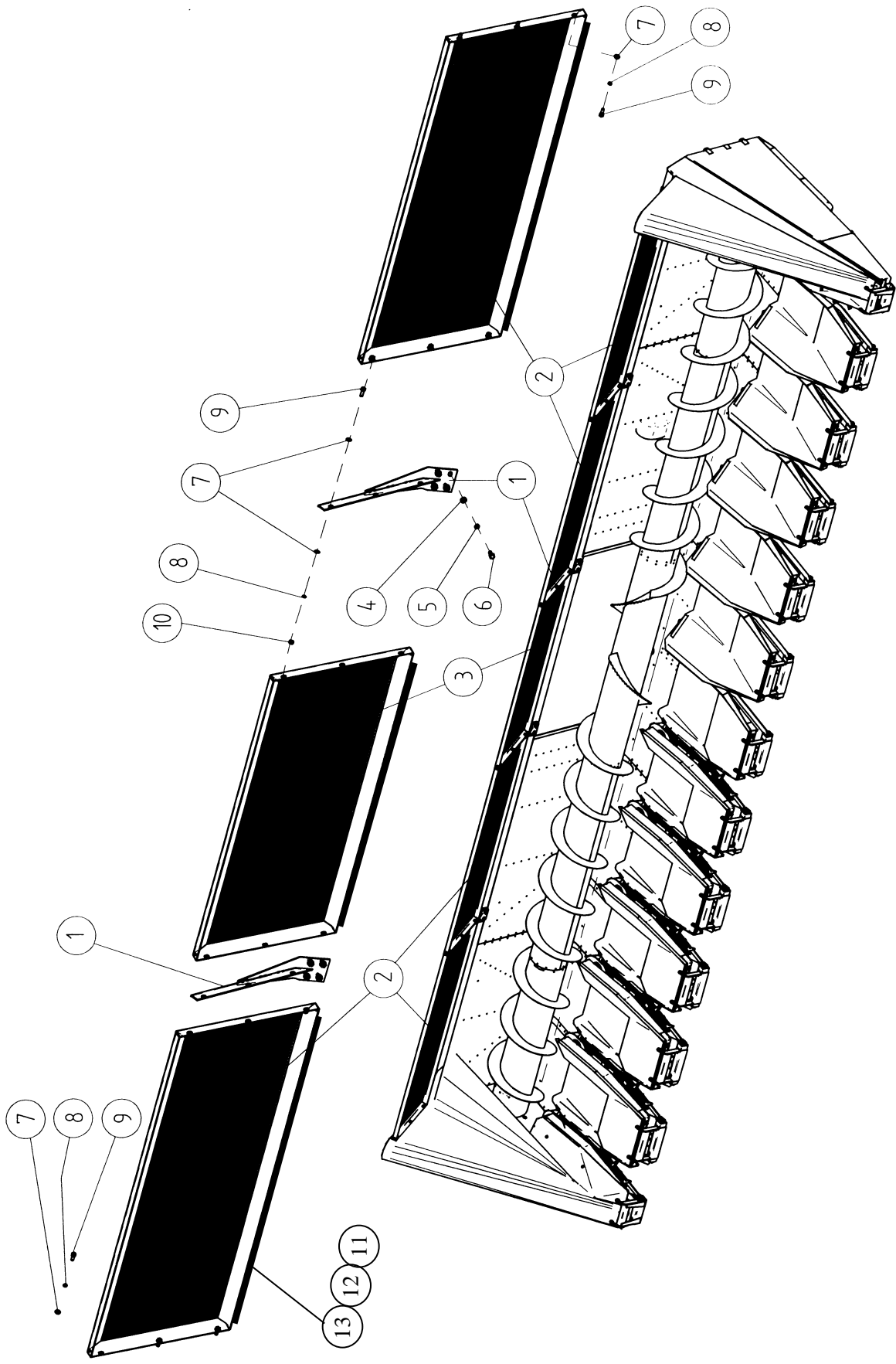
030

Item #	Description	Part #	Pieces per Header by Model #			Remarks
			#830	#1230	#1630	
	End shield assy, 30" - LH & RH	01-001-530	-	-	-	P/N, both LH & RH
2	Plate guide (RH)	02-016-814	1	1	1	
4	Insert (RH)	02-016-502	1	1	1	
6	Plate guide (RH)	02-016-504	1	1	1	
8	Door hinge (RH)	02-016-526	1	1	1	
10	Door (RH)	02-016-532	1	1	1	
12	Slide plate (RH)	02-016-510	1	1	1	
14	Outer plate (RH)	02-016-568	1	1	1	
16	Plate, side, upper (RH)	02-016-542	1	1	1	
18	Rod, reinforcement (RH)	02-016-570	1	1	1	
20	Plate lower (RH)	14-016-520	1	1	1	
			Common to LH & RH			
21	Hinge, pivot - door	12-016-518	2	2	2	
22	Plate bracket	12-005-594	2	2	2	
23	Bracket	13-016-569	1	1	1	
24	Rubber strap assy	100-3-4417 *	2	2	2	Old P/N -- 801-991
25	Washer, flat	M6FW	16	16	16	
26	Washer, lock	M6LW	8	8	8	
27	Nut, hex, grade 8	M6HN	8	8	8	
28	Screw, hex hd cap, grade 8.8	M6x20	8	8	8	
29	Washer (previously used wood)	M8W	2	2	2	
30	Washer, flat	M8FW	15	15	15	
31	Washer, lock	M8LW	13	13	13	

* Sheyenne Part No.



Shields, Right Hand



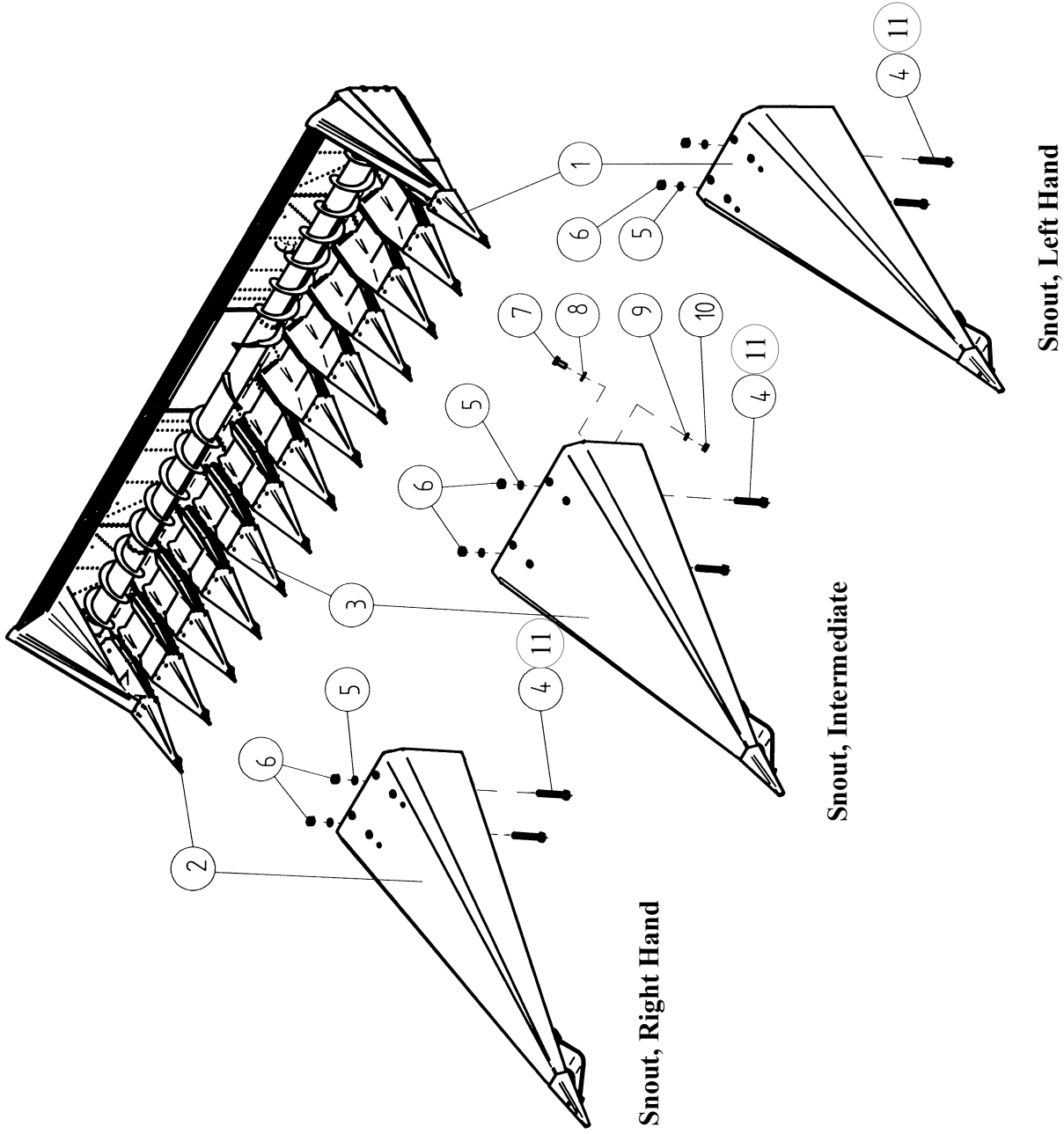
Rear Screen Assembly

Rear Screen Assembly

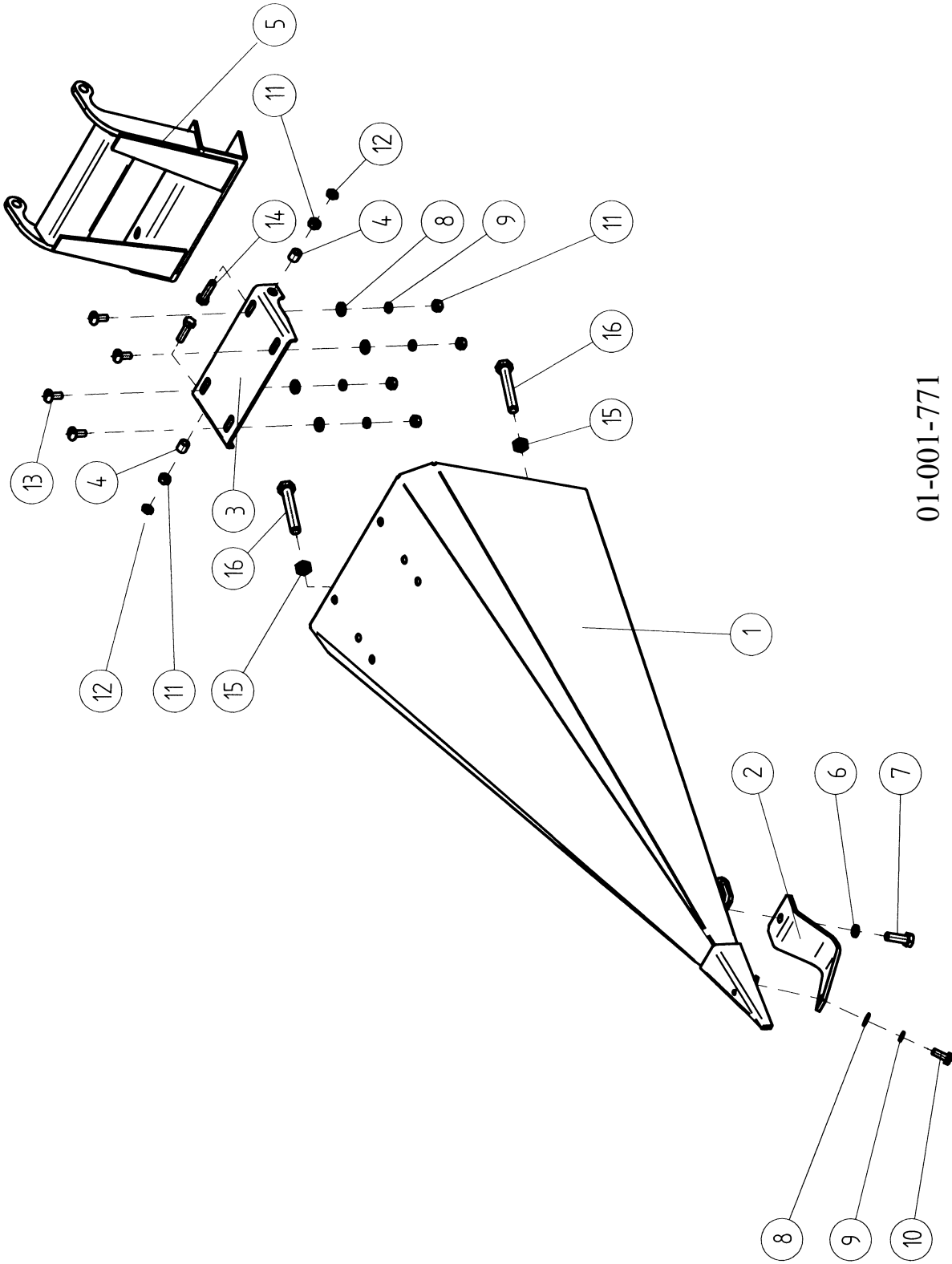
031

Item #	Description	Part #	Pieces per Header by Model #			Remarks
			#830	#1230	#1630	
	Rear screen assy	01-001-685	1			
	Rear screen assy	01-001-517		1		
	Rear screen assy	01-001-518			1	
1	Frame, welded	02-006-133	2	4	6	
2	Outer frame, welded	02-011-711	2			
2	Outer frame, welded	02-016-555		4	4	
2	Outer frame, welded	02-016-556			2	
3	Intermediate frame, welded	02-006-431	1	1	1	
4	Washer, flat	M12FW	8	16	24	
5	Washer, lock	M12LW	8	16	24	
6	Screw, hex hd cap, grade 8.8	M12x30	8	16	24	
7	Washer, flat	M10FW	18	30	36	
8	Washer, lock	M10LW	12	18	24	
9	Screw, hex hd cap, grade 8.8	M10x30	12	18	24	
10	Nut, hex, grade 8	M10HN	6	12	18	
11	Rivet, pop	04-8x16N	25	35	49	
12	# 10x.75 Fender washer	900-11197 *	25	35	49	
13	Rubber flap, 830 screen	65-016-685	1			
13	Rubber flap, 1230 screen	65-016-517		1		
13	Rubber flap, 1630 screen	65-016-518			1	

* Sheyenne part number

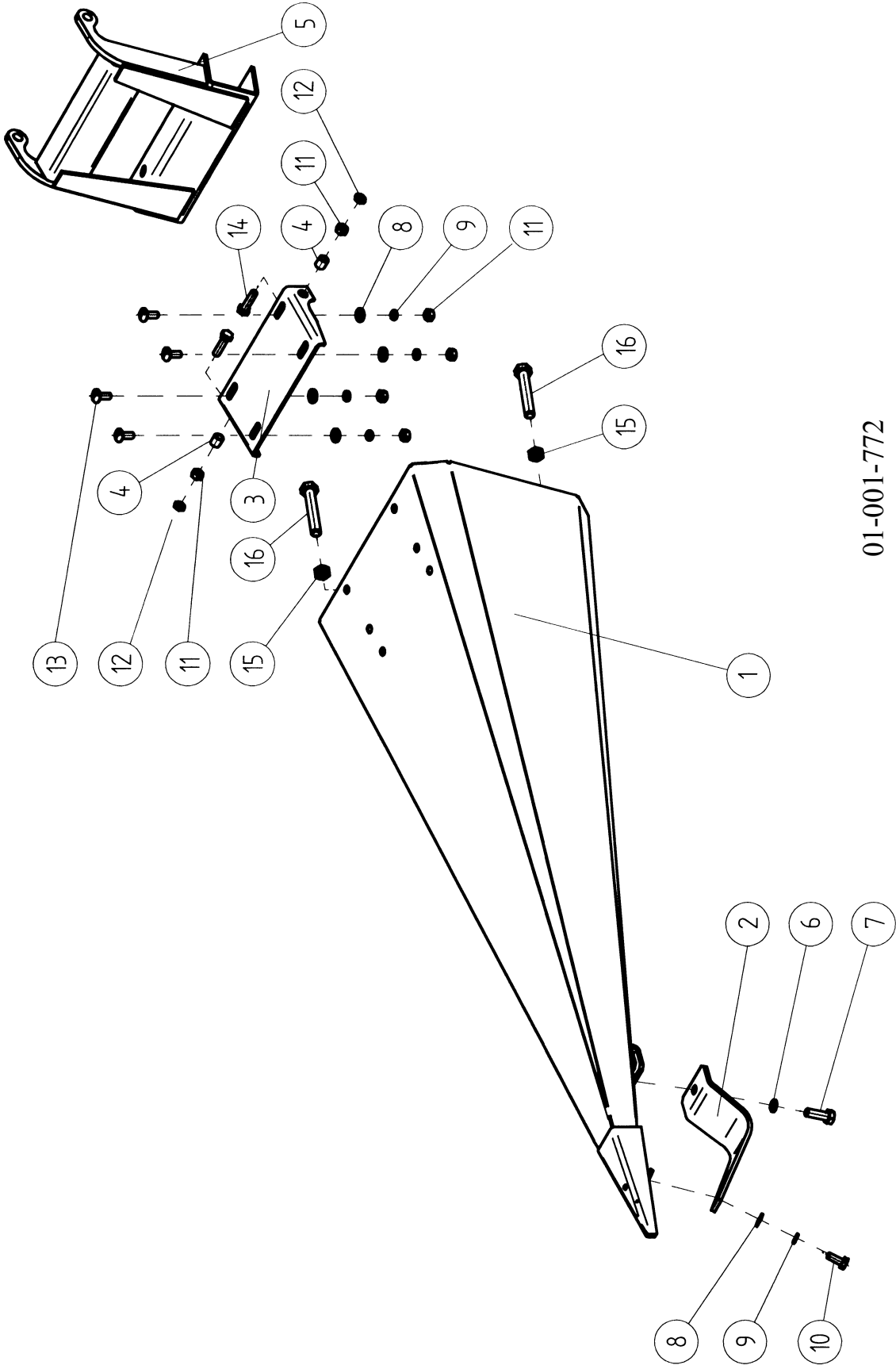


Snouts



01-001-771

Snout Assembly, Welded (LH)



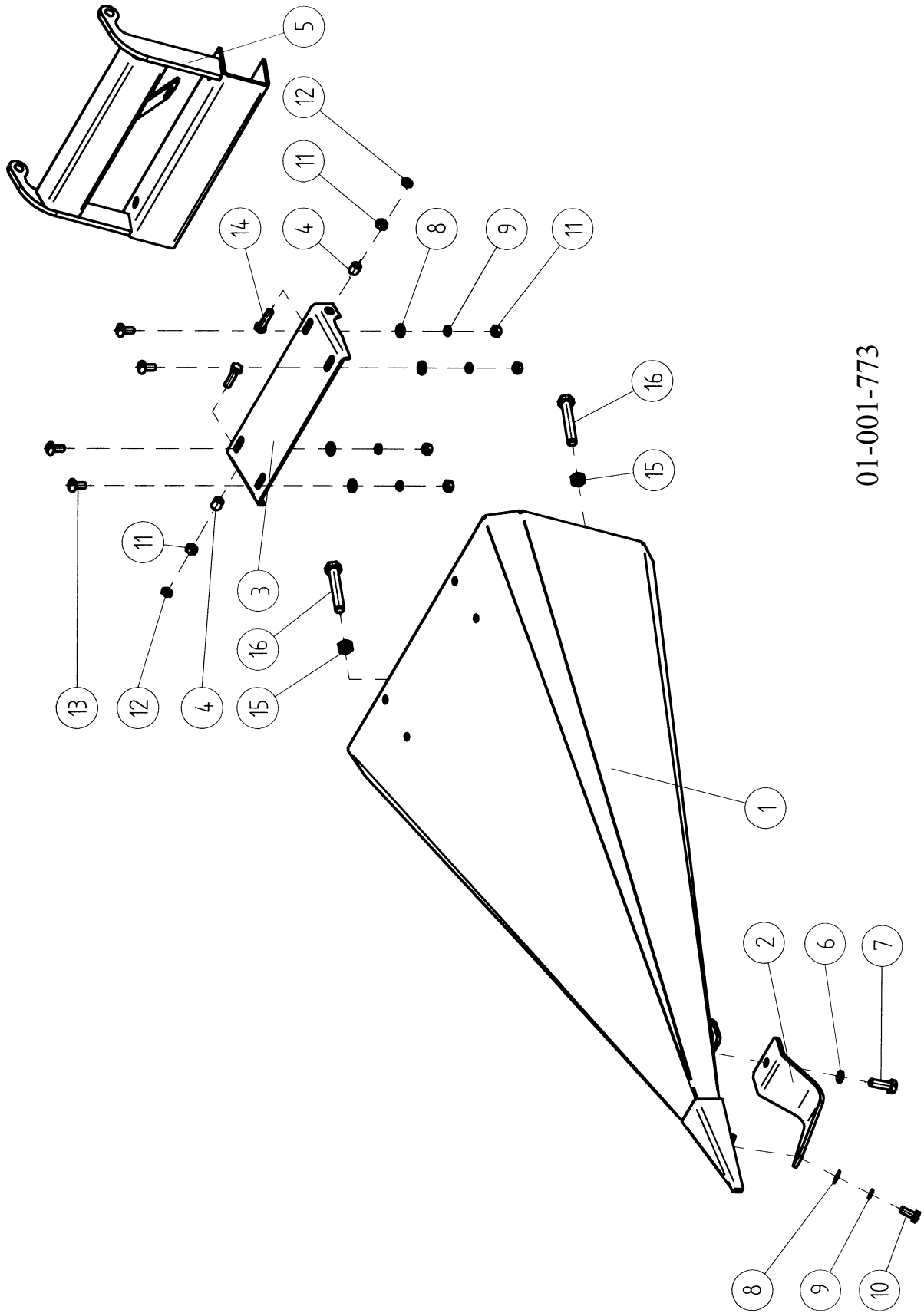
01-001-772

Snout Assy, Welded (RH)

Snout Assy, Welded - RH

034

Item #	Description	Part #	Pieces per Header by Model #			Remarks
			#830	#1230	#1630	
	Snout assembly, RH - 30 inch	01-001-772	1	1	1	USA (all above parts)
1	Snout assy (RH)	10-016-772	1	1	1	USA (cone only)
1	Snout assy (RH)	10-016-769	1	1	1	EU
2	Outer snout slide	14-016-789S	1	1	1	added "S"
3	Outer snout hinge	14-016-579	1	1	1	
4	Spacer	31-016-775	2	2	2	
5	Outer snout bracket	02-015-860	1	1	1	Current as of 1/1/2016
	" " "	02-016-571				Prior to 1/1/2016
6	Washer, lock	M10LW	1	1	1	
7	Screw, hex hd cap, grade 8.8	M10x30	1	1	1	
8	Washer, flat	M8FW	5	5	5	
9	Washer, flat	M8FW	5	5	5	
10	Screw, hex hd cap, grade 8.8	M8x20	1	1	1	
11	Nut, hex, grade 8	M8HN	6	6	6	
12	Nut, hex, grade 4	M8HN	2	2	2	
13	Set screw, hex hd, grade 8.8	M8x20	4	4	4	(Claas)
14	Screw, hex hd cap, grade 8.8	M8x30	2	2	2	
15	Nut, low hex, grade 8	M12LHN	2	2	2	
16	Screw, hex hd cap, grade 8.8	M12x80	2	2	2	



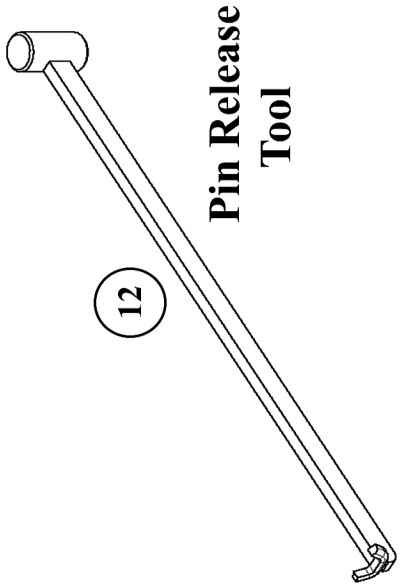
01-001-773

Snout Assy, Welded – Intermediate (Center)

Snout Assy, Welded - Intermediate (Center)

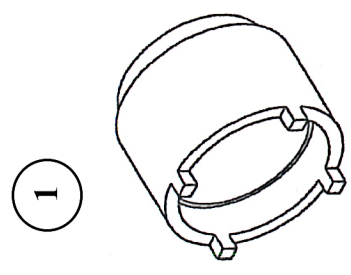
035

Item #	Description	Part #	Pieces per Header by Model #			Remarks
			#830	#1230	#1630	
	Snout assembly, center - 30 inch	01-001-773	7	11	15	USA (all above parts)
			Pieces per individual unit			
1	Divider, inner row - 30 inch - W/A	10-016-773	1	1	1	USA (cone only)
1	Snout, inner row - 30 inch - W/A	10-016-931	1	1	1	EU (not available)
2	Skid shoe, center divider - low profile	14-016-796S	1	1	1	added "S"
3	Outer snout hinge	14-016-797	1	1	1	
4	Spacer	31-016-775	2	2	2	
5	Outer snout bracket	02-016-572	1	1	1	
6	Washer, lock	M10LW	1	1	1	
7	Screw, hex hd cap, grade 8.8	M10x30	1	1	1	
8	Washer, flat	M8FW	5	5	5	
9	Washer, flat	M8FW	5	5	5	
10	Screw, hex hd cap, grade 8.8	M8x20	1	1	1	
11	Nut, hex, grade 8	M8HN	6	6	6	
12	Nut, hex, grade 4	M8HN	2	2	2	
13	Set screw, hex hd, grade 8.8	M8x20	4	4	4	(Claas)
14	Screw, hex hd cap, grade 8.8	M8x30	2	2	2	
15	Nut, low hex, grade 8	M12LHN	2	2	2	
16	Screw, hex hd cap, grade 8.8	M12x80	2	2	2	



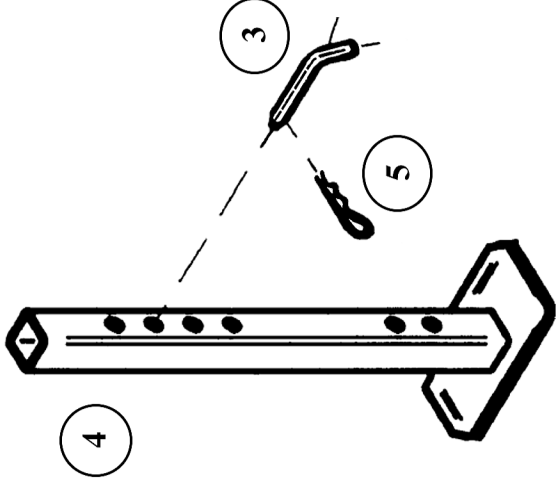
Pin Release Tool

12



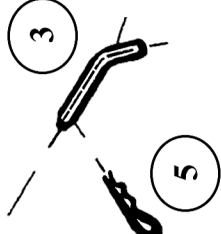
Rotary Cutter Torque Tool

1



Adjustable Support Stand

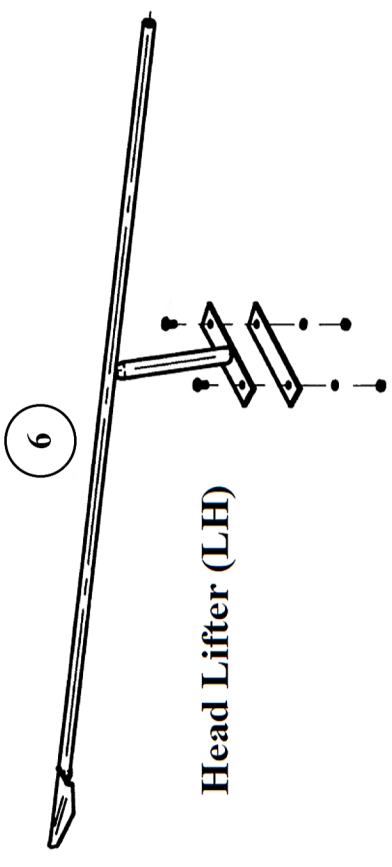
2



3

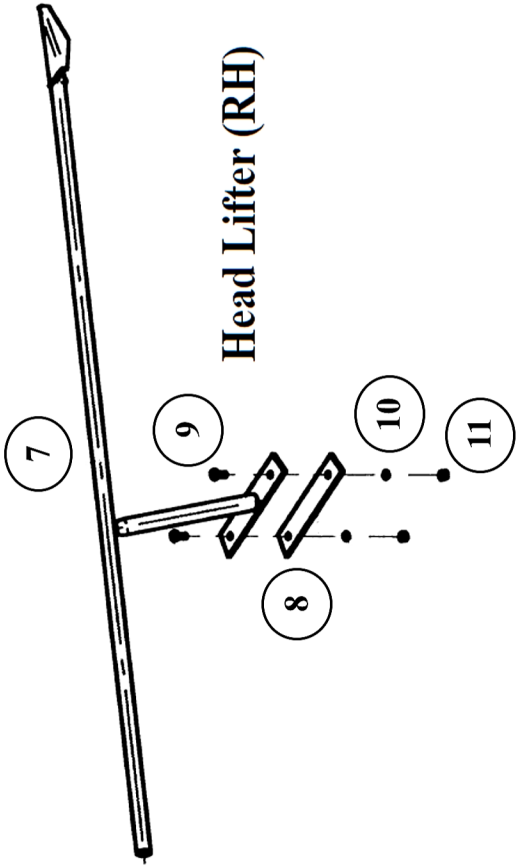


5



Head Lifter (LH)

6



Head Lifter (RH)

7

8

9

10

11

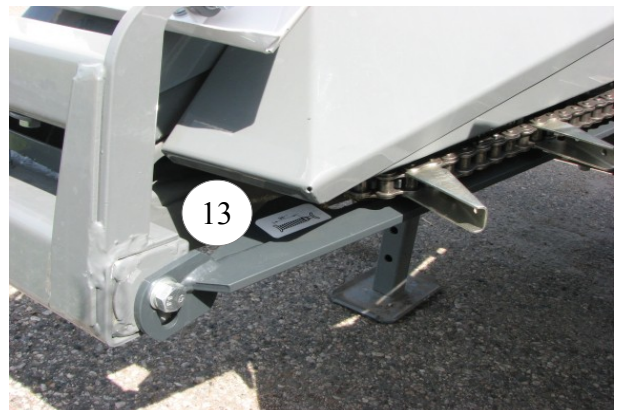
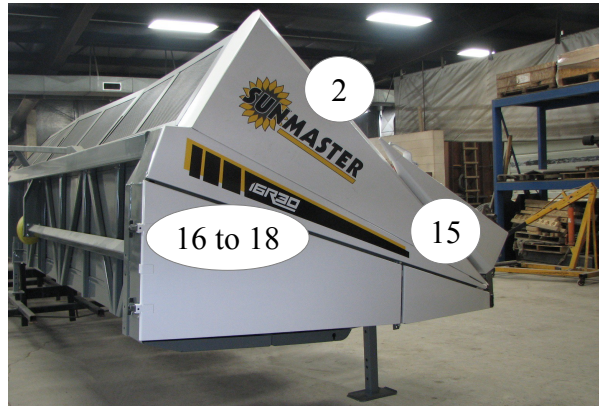
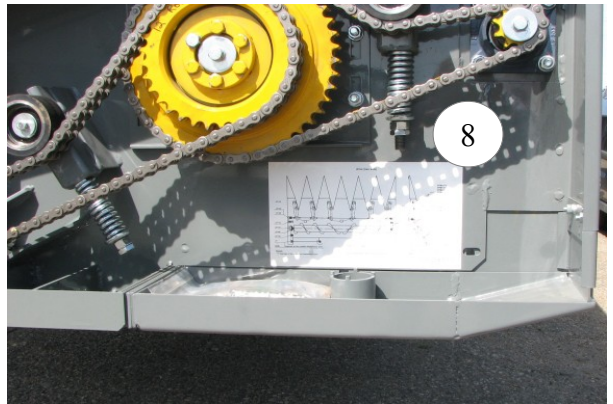
Special Tools - Detachable & Optional Parts

Special Tools - Detachable & Optional Parts

036

Item #	Description	Part #	Pieces per header by Model #			Remarks
			#830	#1230	#1630	
1	Tool, torque - rotary cutter	02-016-139	1	1	1	Torque slip clutches to 120 ft lb * (tool is in spare parts kit)
2	Stand assy, support, adjustable	01-001-041	>	>	>	Part number for 1 assy, (four per header, shown here for breakdown)
3	Pin, jack stand	905-23028	4	4	4	
4	Stand, support	02-0113-341	4	4	4	
5	Key, hairpin	900-25005	4	4	4	
6	Head lifter, welded - LH	10-016-774	1	1	1	Optional feature
7	Head lifter, welded - RH	10-016-767	1	1	1	" "
			Needed with both LH and RH Lifters Above			
8	Bracket, mounting, head lifter	13-016-803	2	2	2	
9	Screw, hex hd cap - grade 8.8	M8x20	4	4	4	
10	Washer, lock	M8LW	4	4	4	
11	Nut, hex, grade 8	M8HN	4	4	4	
12	Pin release tool, straight	70-001-102	1	1	1	(For 30 inch row headers - tool is in spare parts kit)

* Used on item no. 18, pp 48 & 49



Decals

037

Item #	Description	Part #	Pieces per Header by Model #			Remarks
			#830	#1230	#1630	
1	Decal, moving parts - keep hands ---	69-016-204	2	2	2	
2	Decal, Sunmaster, Sunflower	69-016-206	2	2	2	Logo (2014)
3	Decal, crane hook	69-016-050	2	2	2	
4	Decal, rotating driveline	69-016-203	1	2	2	
5	Decal, check bolts and nuts	69-016-054	1	1	1	
6	Decal, stay clear of machine	69-016-058	1	1	1	
7	Decal, read operators manual	69-016-055	1	1	1	
8	Decal, drive system	69-016-048	1	2	2	
9	Decal, keep hands, feet, hair, clothing	69-016-059	1	1	1	
10	Decal, stay clear of machine	69-016-057	1	1	1	
11	Decal, read operators manual	69-016-051	1	1	1	
12	Decal, manufacturer	69-016-063	1	1	1	
13	Decal, setting - tension	69-016-049	8	12	16	
14	Decal, stripe - left side	69-016-207	1	1	1	
15	Decal, stripe - right side	69-016-208	1	1	1	
16	Decal, 8R30 - model	69-016-209	2			
17	Decal, 12R30 - model	69-016-210		2		
18	Decal, 16R30 - model	69-016-211			2	

Kit No. 01-002-001

Suggested **DEALER PARTS KIT** for the Sunmaster Header

A list of parts that may become worn or damaged in use

*

30" manual

Seq	Qty / Kit	Part Number	Part Name	Item Number	Page Found
1	2	02-006-035	Hub, blade	11	50 & 51
2	2	06-006-056	Sprocket, bearing assy -17 tooth	6	52, 53, & 54
3	1	100-3-4417	Rubber strap assy (new part no.)	24	64,65,66,68,69
4	"	801-991	" " " (old part no.)	"	"
5	4	10B2-13	Chain & coupler- 13 link-double roller	10a	6 & 7
6	6	13-004-300	Shim, 1mm (new part no.)	5	50 & 51
7	"	2-600-181/A	Washer, gapping (old part no.)	"	"
8	6	13-004-301	Shim, 0.5mm (new part no.)	6	50 & 51
9	"	2-600-181/B	Washer, gapping (old part no.)	"	"
10	4	13-004-303L	Lock ring	9	50 & 51
11	2	13-004-304	Plate, locking - 5 ext tooth / 2 int tabs	17	50 & 51
12	2	13-016-496	Cover, seal	21	10 & 11
13	4	29-004-302	Bushing, upper (new part no.)	8	50 & 51
14	"	2-600-180	" " (old part no.)	"	"
15	4	29-016-911	Disk, upper	14	50 & 51
16	4	29-016-912	Plate, pressure	15	50 & 51
17	1	30-004-227	Shaft, gearbox - vert. (new part no.)	6/14/4	8,9/10,11/12,13
18	"	2-600-243/3	" " " (old part no.)	"	"
19	2	30-MSZ232	Ring, snap	19	10 & 11
20	4	32-004-319	Bushing, cutting blade	20	50 & 51
21	2	33-027-249	Nut, round - (4) slots - M40X1.5	18	50 & 51
22	4	34-004-183	Key, flat, round end - 8x7x45mm	16	10 & 11
23	4	34-004-235	Key, flat, round end - 8x7x25mm	13/12	10 & 11/12 & 13
24	4	51-016-495	Washer, belleville spring	16	50 & 51
25	2	54-006-080	Chain, gathering	26	52, 54 & 55
26	8	61-016-910	Friction disk, drive	12	50 & 51
27	6	CL10B2	Connector link, dbl - drive assy	11	6 & 7
28	2	M10X80	Screw, hex hd cap, grade 8.8	10	38,39 50,51
29	4	Z30X40X7	Seal	5	8 & 9

*

* Arranged in numerical order in this column

Kit No. 01-002-002

CUSTOMER SPARE PARTS KIT for the Sunmaster Header

Parts that may become worn in use or be damaged.

30" manual

Seq	Qty / Kit	Part Number	Part Name	Item Number	Page Found
1	6	06X22	Rivet	22	50 & 51
2	1	10B2-13	Chain, coupler - 13 link - double	10a	6 / 7
3	2	13-006-037	Cutting blade (sickle section)	21	50 & 51
4	1	CL10B2	Connector link, double - 5/8	11	6 / 7
5	1	CL12B2	Connector link, double - 3/4	10	30 / 31
6		12A-1	" " " (old part no.)	"	"

INDEX

Part Number	Page
6306	11
6306	13
70200002001	53
05-024-102	41
01-002-004	5
01-001-041	83
01-001-080	49
01-001-080	57
01-001-081	49
01-001-081	57
01-001-201	49
01-001-201	53
01-001-202	49
01-001-202	53
01-001-309	59
01-001-310	59
01-001-311	59
01-001-354	5
01-001-354	7
01-001-355	5
01-001-355	7
01-001-356	5
01-001-356	7
01-001-517	73
01-001-518	73
01-001-520	63
01-001-521	63
01-001-522	63
01-001-530	65
01-001-530	69
01-001-647	59
01-001-647	61
01-001-685	73
01-001-729	49
01-001-730	49

Part Number	Page
01-001-731	49
01-001-772	79
01-001-773	81
01-001-805	59
01-001-805	61
01-001-806	59
01-001-806	61
01-001-828	5
01-001-828	31
01-001-829	5
01-001-829	41
01-001-831	5
01-001-831	45
01-001-832	5
01-001-833	5
01-001-833	31
01-001-834	5
01-001-835	5
01-001-835	45
01-001-836	5
01-001-836	45
01-001-961	5
01-001-963	5
01-001-966	5
01-001-966	27
01-016-350	21
01-016-354	43
01-016-366	5
01-016-366	47
01-016-367	7
01-016-367	17
01-016-369	7
01-016-370	7
01-016-370	21
01-016-371	19

Part Number	Page
01-016-647	61
01-016-805	61
01-016-806	61
01-016-829	31
01-024-073	5
01-024-073	31
01-024-073	33
01-024-074	5
01-024-074	31
01-024-074	35
02-006-023	53
02-006-035	51
02-006-035	86
02-006-036	51
02-006-084	57
02-006-085	57
02-006-133	73
02-006-431	73
02-009-150	21
02-009-188	27
02-0113-341	83
02-011-711	73
02-015-860	77
02-015-860	79
02-016-009	5
02-016-009/1	5
02-016-010	5
02-016-010/1	5
02-016-011	5
02-016-139	83
02-016-207	5
02-016-300	27
02-016-301	27
02-016-450	47
02-016-452	47

INDEX

Part Number	Page
02-016-483	53
02-016-484	53
02-016-501	65
02-016-502	69
02-016-503	65
02-016-504	69
02-016-509	65
02-016-510	69
02-016-525	65
02-016-526	69
02-016-530	65
02-016-531	65
02-016-532	69
02-016-541	65
02-016-542	69
02-016-555	73
02-016-556	73
02-016-567	65
02-016-568	69
02-016-570	69
02-016-571	77
02-016-571	79
02-016-572	81
02-016-813	65
02-016-814	69
02-016-875	43
02-016-898	45
02-016-901	45
02-016-902	45
02-016-978	23
02-016-978	25
02-016-982	23
02-016-982	25
02-016-983	23
02-016-983	27

Part Number	Page
02-016-984	25
02-016-984	27
02-027-201	53
02-027-202	53
02-027-209	53
02-027-212	53
02-027-215	53
03-004-161	7
03-004-161	9
03-004-161	11
03-016-843	31
03-016-843	33
03-016-843	35
03-016-843	37
03-016-844	31
03-016-844	33
03-016-844	35
03-024-078	9
03-024-078	11
03-024-079	9
03-024-081	9
03-024-081	13
043 491	39
043 491	41
04-8x16N	61
04-8x16N	73
05-006-034	51
05-006-034	51
05-016-847	31
05-016-848	31
05-016-848	39
05-016-906	49
05-016-906	51
05-016-908	51
05-016-908	51

Part Number	Page
05-024-101	31
05-024-101	33
05-024-101	39
05-024-102	31
05-024-102	35
05-024-102	41
06-006-056	53
06-006-056	86
06-016-850	31
06-016-850	33
06-016-850	35
06-016-850	43
06x22	51
06X22	87
07-016-451	47
07-016-849	31
07-016-865	39
07-016-866	39
07-016-866	41
07-024-103	41
10-016-767	83
10-016-768	75
10-016-768	77
10-016-769	75
10-016-769	79
10-016-771	75
10-016-771	77
10-016-772	75
10-016-772	79
10-016-773	75
10-016-773	81
10-016-774	83
10-016-931	75
10-016-931	81
100-3-3648	33

INDEX

Part Number	Page
100-3-3648	35
100-3-4208	27
100-3-4417	69
100-3-4417	86
100-3-4417	65
10B2-13	7
10B2-13	86
10B2-13	87
10B2-15	7
12-004-090	5
12-004-299	51
12-005-594	65
12-005-594	69
12-006-082	57
12-006-083	57
12-016-518	65
12-016-518	69
12A-1	55
12A-1	87
12B-14	47
12B2	33
12B2	33
12B2	35
12B2	35
12B2-82	31
13-004-300	51
13-004-300	86
13-004-301	51
13-004-301	86
13-004-303L	51
13-004-303L	86
13-004-304	51
13-004-304	86
13-004-305	39
13-004-305	41

Part Number	Page
13-004-306	33
13-005-830	37
13-005-830	45
13-005-993	31
13-005-993	33
13-005-993	35
13-005-993	37
13-005-993	45
13-005-994	31
13-005-994	33
13-005-994	35
13-005-994	37
13-005-994	45
13-006-025	51
13-006-026	51
13-006-037	51
13-006-037	87
13-006-251	57
13-009-251	57
13-011-302	27
13-011-663	61
13-011-664	61
13-016-429	43
13-016-496	9
13-016-496	11
13-016-496	86
13-016-569	65
13-016-569	69
13-016-803	83
13-016-842	31
13-016-883	45
14-004-297	51
14-004-344	55
14-006-231	61
14-006-232	61

Part Number	Page
14-009-385	63
14-009-386	63
14-009-458	61
14-010-093	23
14-010-093	25
14-011-693	63
14-011-694	63
14-011-695	63
14-011-696	63
14-011-697	63
14-016-519	65
14-016-520	69
14-016-579	77
14-016-579	79
14-016-788S	77
14-016-789S	79
14-016-796S	81
14-016-797	81
14-016-859	39
14-016-859	41
14-016-939	63
14-016-940	63
14-027-210	53
17-016-901	23
17-016-901	25
17262082RSR	23
17262082RSR	25
22-004-228	11
24-004-343	55
24-005-817	31
24-005-817	33
24-005-817	35
24-005-828	37
24-005-881	11
24-005-881	15

INDEX

Part Number	Page
24-005-881	17
24-005-881W	9
24-005-881W	11
24-005-881W	15
24-005-881W	17
24-016-425	37
24-024-082W	9
24-024-082W	19
24-024-084W	9
24-024-084W	33
24-024-084W	35
2-600-180	51
2-600-180	86
2-600-181/A	51
2-600-181/A	86
2-600-181/B	51
2-600-181/B	86
2-600-232	9
2-600-232	13
2-600-238	13
2-600-239	11
2-600-239	13
2-600-242	13
2-600-243/3	11
2-600-243/3	13
2-600-243/3	86
2-600-244	13
2-600-251	13
29-004-302	51
29-004-302	86
29-005-781	15
29-005-781	15
29-005-781	17
29-005-781	19
29-016-867	39

Part Number	Page
29-016-867	41
29-016-868	39
29-016-868	41
29-016-869	39
29-016-869	41
29-016-870	39
29-016-870	41
29-016-911	51
29-016-911	86
29-016-912	51
29-016-912	86
30-004-225	9
30-004-225	11
30-004-227	9
30-004-227	11
30-004-227	13
30-004-227	86
30-016-372	17
30-016-374	15
30-016-455	47
30-016-839	25
30-016-841	23
30-016-851	37
30-016-891	45
30-016-894	45
30-016-895	45
30-020-029	27
30-024-083	9
30-024-083	13
30-024-954	19
30MSZ232	13
30-MSZ232	11
30-MSZ232	86
31-004-574	61
31-006-061	53

Part Number	Page
31-009-159	21
31-016-775	77
31-016-775	79
31-016-775	81
31-016-820	31
31-016-820	33
31-016-820	35
31-016-852	37
31-016-852	45
32-004-319	51
32-004-319	86
33-006-062	53
33-006-065	43
33-016-879	45
33-027-249	51
33-027-249	86
34-004-168	23
34-004-168	25
34-004-183	11
34-004-183	51
34-004-183	86
34-004-214	11
34-004-214	15
34-004-214	37
34-004-214	17
34-004-214	19
34-004-235	11
34-004-235	13
34-004-235	86
34-010-212	23
34-010-212	25
4 mm	31
40-004-209	37
40-004-224	11
40-004-226	11

INDEX

Part Number	Page
40-004-226	13
40-010-087	15
41-016-820	11
41-016-820	13
4x18	55
50-004-340	43
50-004-340	53
50-009-265	61
50-009-266	61
50-016-456	47
50-044-340	53
51-016-495	51
51-016-495	86
52-006-031	53
52-011-640	53
54-006-080	55
54-006-080	86
60-016-878	45
6007-2RS1	37
610-0-0006	27
61-016-441	45
61-016-441	47
61-016-807	61
61-016-876	43
61-016-910	51
61-016-910	86
6202-2RS1	21
6202-2RSR	21
6204-2RS1	55
6206-2RS1	11
6206-2RSR	11
6206-2RSR	13
62MSZ231	37
62MSZ231	43
63-016-371	11

Part Number	Page
63-016-371	13
6305-2RS1	43
6305-2RSR	43
65-011-661	61
65-011-662	61
65-016-517	73
65-016-518	73
65-016-685	73
69-009-152	21
69-016-048	85
69-016-049	85
69-016-050	85
69-016-051	85
69-016-054	85
69-016-055	85
69-016-057	85
69-016-058	85
69-016-059	85
69-016-063	85
69-016-203	85
69-016-204	85
69-016-206	85
69-016-207	85
69-016-208	85
69-016-209	85
69-016-210	85
69-016-211	85
70-001-102	83
72MSZ231	11
72MSZ231	13
801-991	65
801-991	69
801-991	86
900-01127	27
900-01227	27

Part Number	Page
900-01345	27
900-01695	23
900-01695	25
900-01751	27
900-06013	27
900-06145	27
900-06500	27
900-06504	27
900-06530	23
900-06530	25
900-11035	27
900-11197	73
900-17615	5
900-22974	67
900-22974	71
900-23025	7
900-25005	33
900-25005	35
900-25005	83
905-23028	83
CL10B2	7
CL10B2	86
CL10B2	87
CL12B1	55
CL12B2	31
CL12B2	33
CL12B2	35
CL12B2	87
FY-507	45
FY-507	47
FY-508	23
FY-508	25
H208	23
H208	25
KM8	23

INDEX

Part Number	Page
KM8	25
M10FW	21
M10FW	31
M10FW	33
M10FW	35
M10FW	55
M10FW	61
M10FW	67
M10FW	67
M10FW	71
M10FW	73
M10FW	75
M10HN	21
M10HN	31
M10HN	33
M10HN	35
M10HN	55
M10HN	61
M10HN	67
M10HN	71
M10HN	73
M10HN	75
M10LW	21
M10LW	31
M10LW	31
M10LW	33
M10LW	33
M10LW	35
M10LW	35
M10LW	37
M10LW	45
M10LW	55
M10LW	57
M10LW	61
M10LW	67

Part Number	Page
M10LW	71
M10LW	73
M10LW	75
M10LW	77
M10LW	79
M10LW	81
M10W	71
M10x20	55
M10x20	57
M10x20	61
M10x20	67
M10x20	71
M10x25	31
M10x25	33
M10x25	35
M10x25	51
M10x25	67
M10x25	71
M10x25	75
M10x30	37
M10x30	45
M10x30	67
M10x30	71
M10x30	73
M10x30	77
M10x30	79
M10x30	81
M10x35	21
M10x45	31
M10x45	33
M10x45	35
M10x80	39
M10x80	51
M10X80	86
M10x90	39

Part Number	Page
M10x90	41
M12	23
M12FW	7
M12FW	23
M12FW	25
M12FW	25
M12FW	45
M12FW	45
M12FW	47
M12FW	55
M12FW	57
M12FW	63
M12FW	73
M12FW	75
M12HN	7
M12HN	23
M12HN	25
M12HN	45
M12HN	47
M12HN	63
M12HN	75
M12HN	77
M12LHN	21
M12LHN	79
M12LHN	81
M12LW	7
M12LW	23
M12LW	25
M12LW	45
M12LW	47
M12LW	55
M12LW	57
M12LW	73
M12LW	75
M12W	47

INDEX

Part Number	Page
M12x30	45
M12x30	47
M12x30	55
M12x30	57
M12x30	73
M12x35	55
M12x35CB	23
M12x35CB	25
M12x40	45
M12x40	47
M12x50	7
M12x50	45
M12x55	7
M12x55	23
M12x55	25
M12x55	47
M12x70	23
M12x70	25
M12x80	55
M12x80	75
M12x80	77
M12x80	79
M12x80	81
M14FW	7
M16FW	11
M16FW	31
M16FW	33
M16FW	35
M16JN	43
M16x1.5	11
M24FW	43
M6FW	65
M6FW	69
M6HN	65
M6HN	69

Part Number	Page
M6LW	65
M6LW	69
M6x20	65
M6x20	69
M8FW	57
M8FW	65
M8FW	77
M8FW	77
M8FW	79
M8FW	79
M8FW	81
M8FW	81
M8FW	63
M8FW	69
M8HN	15
M8HN	57
M8HN	67
M8HN	71
M8HN	77
M8HN	77
M8HN	79
M8HN	79
M8HN	81
M8HN	81
M8HN	83
M8LHN	15
M8LHN	17
M8LHN	19
M8LW	11
M8LW	11
M8LW	13
M8LW	15
M8LW	43
M8LW	57
M8LW	63

Part Number	Page
M8LW	67
M8LW	69
M8LW	83
M8W	65
M8W	69
M8x16SS	17
M8x16SS	19
M8x20	11
M8x20	13
M8x20	43
M8x20	63
M8x20	67
M8x20	71
M8x20	77
M8x20	77
M8x20	79
M8x20	79
M8x20	81
M8x20	81
M8x20	83
M8x20SS	15
M8x25	11
M8x25	67
M8x25	71
M8x25CB	57
M8x30	77
M8x30	79
M8x30	81
M8x35	61
M8x35CB	15
MB8	23
MB8	25
OL12B2	31
PF52	15
PM3535SY	41

INDEX

Part Number	Page
RONA 63/TAU	39
RONA 63/TAU	41
Y30x52x10	11
Y30x52x10	13
YT-205	15
YT-207	45
YT-207	45
YT-207	47
Z30x40x7	9
Z30x40x7	11
Z30X40X7	86

Part Number	Page
--------------------	-------------

Part Number	Page
--------------------	-------------



Sheyenne Tooling & Mfg.

701 Lenham Ave. - P.O. Box 647

Cooperstown, ND 58425

Office (701) 797-2700

Fax (701) 797-2584

Toll Free (800) 797-1883

www.sheyennemfg.com